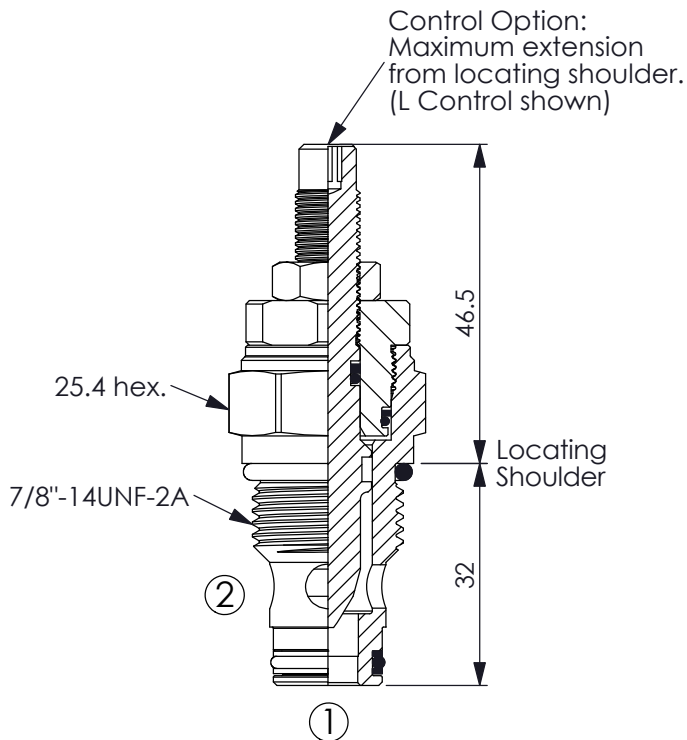
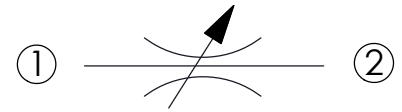


FLOW CONTROL VALVE (Fully Adjustable Needle)

Ordering Code: **NV-10W-X-Y-Z**

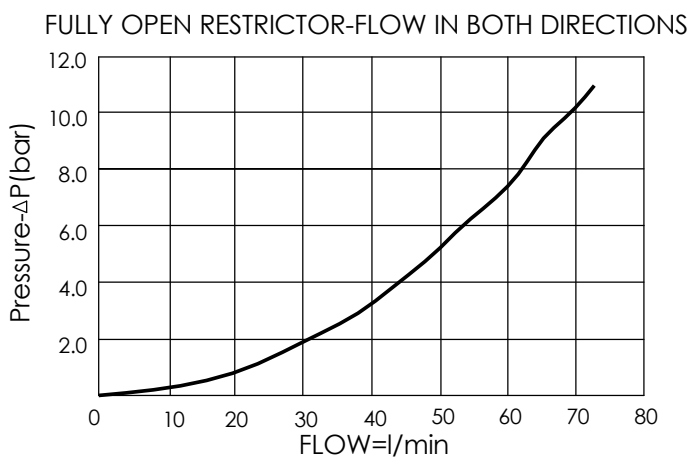


UNIT:mm



TECHNICAL DATA

Max. pressure:	350	bar
Rated Flow:	58 l/min ($\Delta P=7$ bar)	See Performance Chart
Cavity-Tooling:	10W-2	
Installation torque:	35-45	Nm
Weight:	0.16	kg



X OPERATION

20 Needle Valve

Z OPTIONS

L	Leakproof hex. socket screw.	
E	Handknob and locknut.	
B	Handknob and aluminum locknut.	

Y MAXIMUM NOMINAL ORIFICE

N (Standard)