

### HVQ20 訂購指引

Model	Maximum pressure Mpa (kgf/cm <sup>2</sup> ) 最高工作壓力			
	using antiwear oil or phosphate ester fluid 抗磨作動油		using water glycol fluid 水乙二醇作動液	
	Cont. (連續)	Peak. (瞬間)	Cont. (連續)	Peak. (瞬間)
HVQ20 - 4	408 kgf/cm <sup>2</sup>	450 kgf/cm <sup>2</sup>	255 kgf/cm <sup>2</sup>	280 kgf/cm <sup>2</sup>
HVQ20 - 6				
HVQ20 - 8				
HVQ20 - 11				
HVQ20 - 14				
HVQ20 - 17	357 kgf/cm <sup>2</sup>	380 kgf/cm <sup>2</sup>	255 kgf/cm <sup>2</sup>	280 kgf/cm <sup>2</sup>
HVQ20 - 19				
HVQ20 - 23				

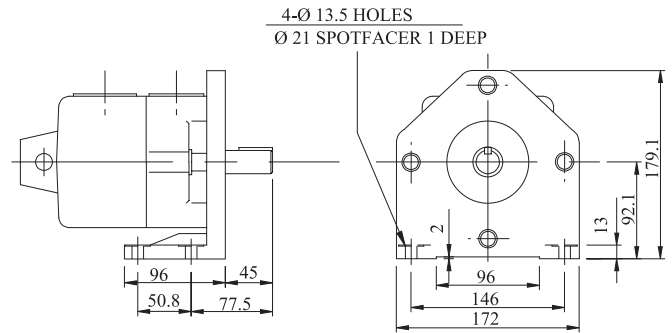
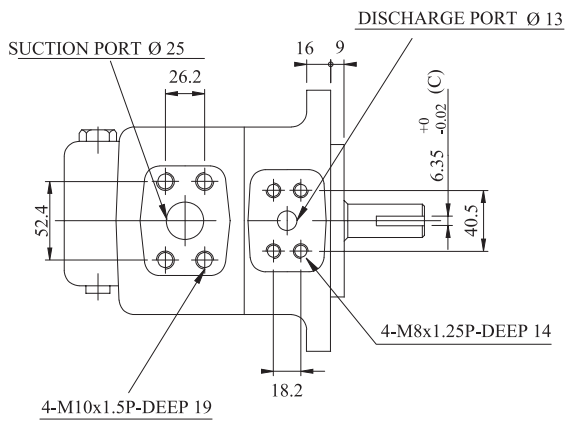
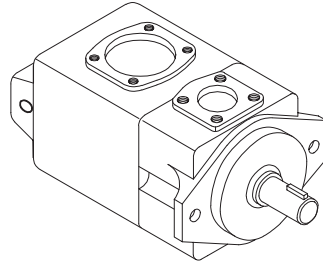
Model	Running Speed r/min(rpm)			
	Max (rpm) 最高轉速			
	using antiwear oil or phosphate ester fluid 抗磨作動油		using water glycol fluid 水乙二醇液	using water-in-oil emulsions 油包水乳化液
	Max (rpm)	Min (rpm)		
HVQ20 - 4	3000	800	1800	1800
HVQ20 - 6	2500	800		
HVQ20 - 8				
HVQ20 - 11	2300	800		
HVQ20 - 14	1800	800		
HVQ20 - 17				
HVQ20 - 19				
HVQ20 - 23				

### ORDERING CODE

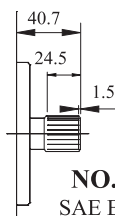
Weight: 18.1 Kg

HVQ20	-19	-F	-R	A	A	-01	-01
Model number	Displacement c.c/rev	Mounting Type	Rotation	Discharge Position	Suction Position	Shaft Type	Output Dimensional
HVQ20	4, 6, 8, 11, 14, 17, 19, 23	F: Flange Type 法蘭型 L: Foot Type 腳座型	View from Shaft End 從心軸方向看 R: Clockwise 順時針 L: Anti-Clockwise 反時針	A: Upward (Normal) 向上 B: Downward 向下 R: On Right Hand 右邊 L: On Left Hand 左邊	A: Upward (Normal) 向上 B: Downward 向下 R: On Right Hand 右邊 L: On Left Hand 左邊	01: Normal	01: Normal  02:

### HVQ20



Foot Type (腳座型)



#### NO.3 Shaft

SAE B-B splined shaft  
Class 1-J498 b 16/32 d.p.  
-13 teeth 30° pressure  
angle flat root side fit

	A	B	C
N0.01-Shaft	Ø 22.23	25.01	6.35
N0.02-Shaft			
N0.03-Shaft	Spline Shaft		

