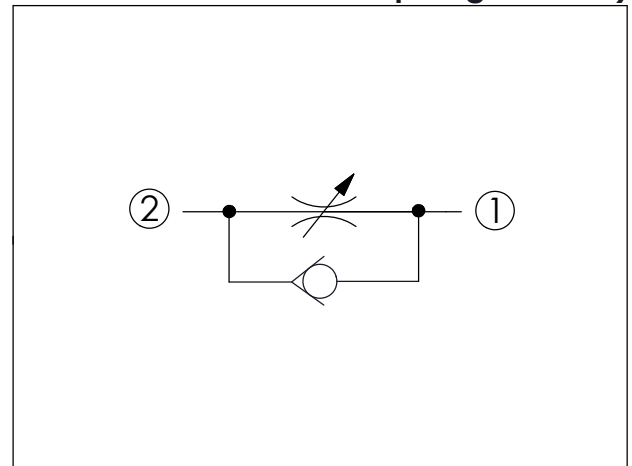
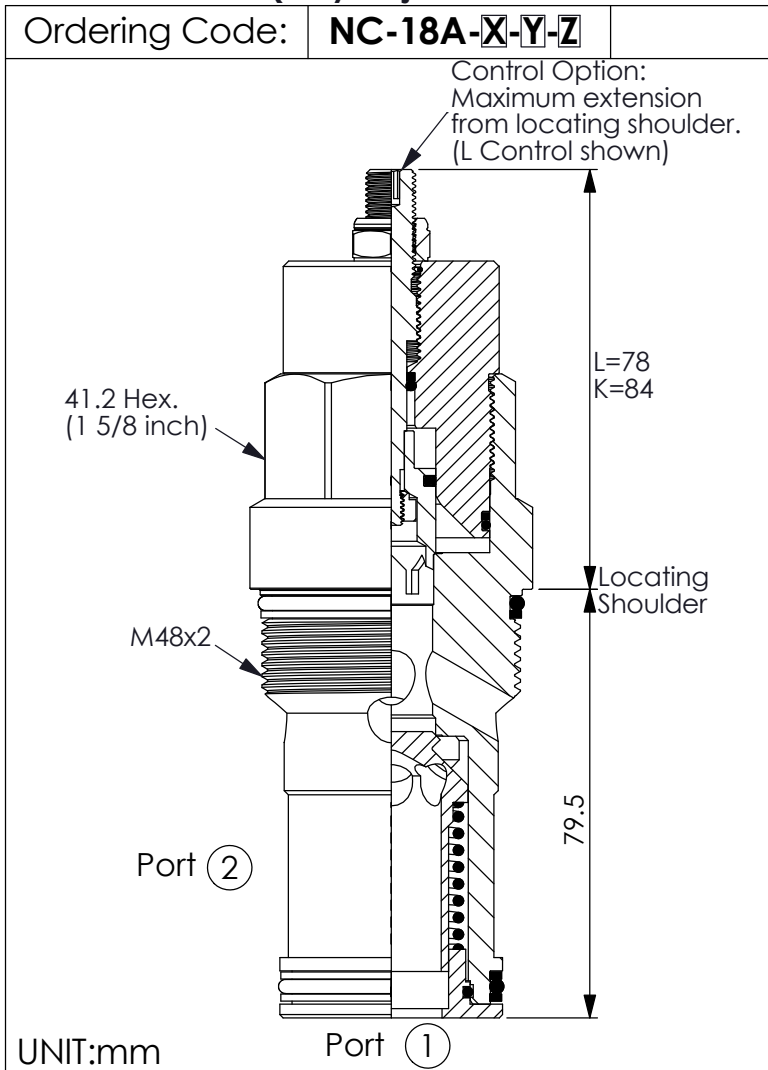
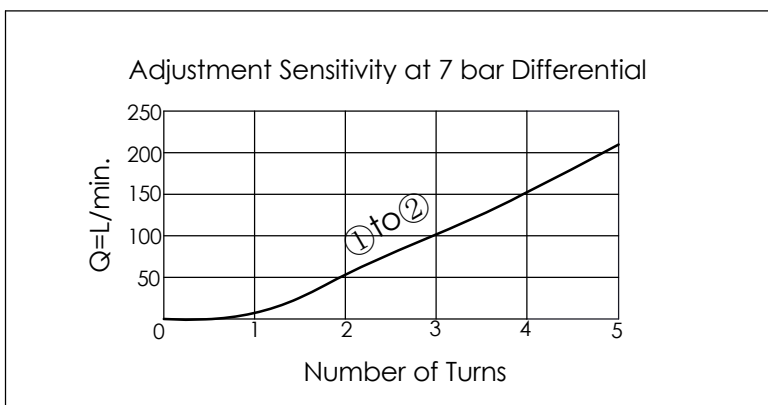


(Fully Adjustable Needle with Reverse Flow Check and Sharp-Edge Orifice)



TECHNICAL DATA

Max. Operating pressure:	350 bar
Rated flow:	250 l/min ($\Delta P=7$ bar) See Performance Chart
Cavity-Tooling:	18A-2
Installation torque:	475-500 Nm
Weight:	1.22 kg



X	OPERATION	
21	2 to 1 (Free Flow)	

Y	OPTIONS	
	Maximum Nominal Orifice	Cracking Pressure
BC	ϕ 14.2 mm	2.0 bar

Z	OPTIONS	
L	Leakproof hex. socket screw.	
K	Handknob with Lock Knob.	
T	Three-winged Handknob Kit.	