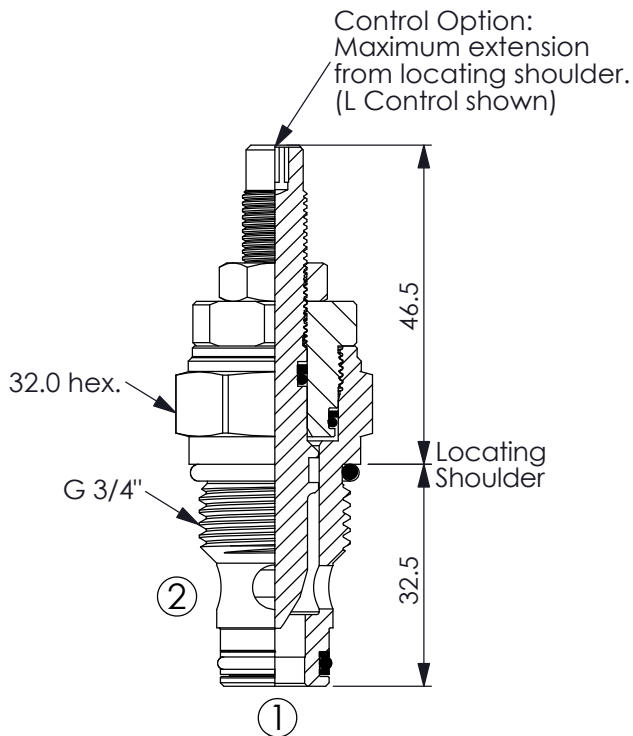
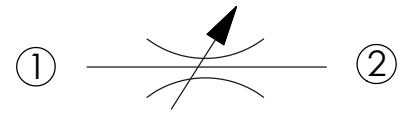


## FLOW CONTROL VALVE (Fully Adjustable Needle)

Ordering Code: **NV-17E-X-Y-Z**



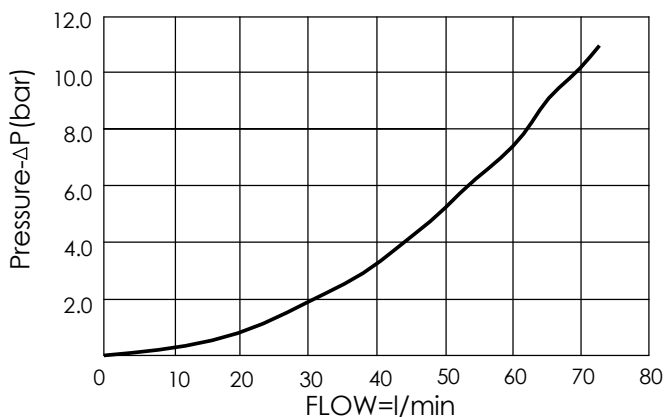
UNIT:mm



### TECHNICAL DATA

Max. pressure:	350	bar
Rated Flow:	58 l/min ( $\Delta P=7$ bar) See Performance Chart	
Cavity-Tooling:	17E-2	
Installation torque:	45-55	Nm
Weight:	0.2	kg

FULLY OPEN RESTRICTOR-FLOW IN BOTH DIRECTIONS

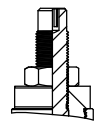


### X OPERATION

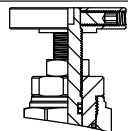
**20** Needle Valve

### Z OPTIONS

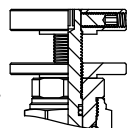
**L** Leakproof hex. socket screw.



**E** Handknob and locknut.



**B** Handknob and aluminum locknut.



### Y MAXIMUM NOMINAL ORIFICE

**N** (Standard)