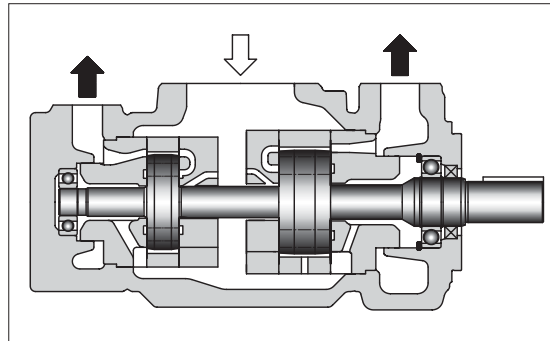
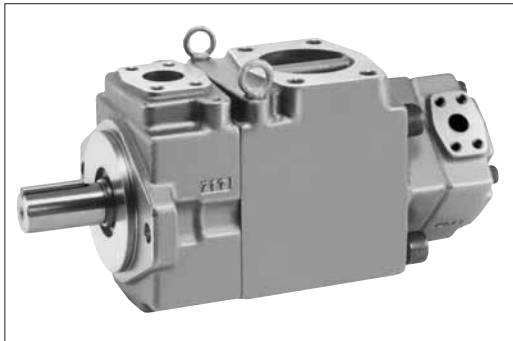
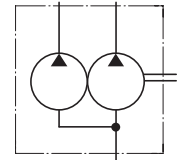


## "PV2R24A/34A" Series Double Vane Pumps

These double pumps incorporate the new PV2R4A series pumps for the large volume side, a feature that permits discharge to separate circuits.



Graphic Symbol



### Model Number Designation

F-	PV2R24A	-26	-193	-L	-R	E	A	A	-10	*	
Special Seals	Series Number	Small Volume Pump Nominal Displacement cm <sup>3</sup> /rev	Large Volume Pump Nominal Displacement cm <sup>3</sup> /rev	Mounting	Direction of Rotation	Small Volume Pump Discharge Port Position	Large Volume Pump Discharge Port Position	Suction Port Position	Design Number	Design Standards	
<b>F:</b> Special seals for phosphate ester type fluids (Omit if not required)	<b>PV2R24A</b>	<b>26, 33</b> <b>41, 47</b> <b>53, 59</b> <b>65</b>	<b>138, 162</b> <b>193</b>	<b>L:</b> Foot Mtg. <b>F:</b> Flange Mtg.	<b>R:</b> ★ <sup>1</sup> Clockwise (Normal)	(Viewed from Shaft End)		<b>A:</b> Upwards (Normal)	<b>A:</b> Upwards (Normal)	<b>10</b>	Refer to ★ <sup>2</sup>
	<b>PV2R34A</b>	<b>76, 94</b> <b>116</b>				<b>E:</b> Left 45° Upwards (Normal)	<b>A:</b> Upwards (Normal)				

★<sup>1</sup>. Available to supply pump with anti-clockwise rotation.  
Consult Yuken for details.

★<sup>2</sup>. Design Standards: None ..... Japanese Standard "JIS" and European Design Standard 90 ..... N. American Design Standard

### Pipe Flange Kits

Pipe flange kits are available. When ordering, specify the kit the number from the table below.

Pump Model Numbers	Name of Port	Pipe Flange Kit Numbers						
		Threaded Connection			Socket Welding <sup>★1</sup>		Butt Welding	
		Japanese Standard "JIS"	European Design Standard	N. American Design Standard <sup>★2</sup>	Japanese Standard "JIS" European Design Standard	N. American Design Standard <sup>★2</sup>	Japanese Standard "JIS" European Design Standard	N. American Design Standard <sup>★2</sup>
PV2R24A	Suction	F5-28-A-10	—	—	F5-28-B-10	F5-28-B-1090	F5-28-C-10	F5-28-C-1090
	Large Discharge	F5-12-A-10	F5-12-A-1080	—	F5-12-B-10	F5-12-B-1090	F5-12-C-10	F5-12-C-1090
	Small Discharge	F5-06-A-10	F5-06-A-1080	—	F5-06-B-10	F5-06-B-1090	F5-06-C-10	F5-06-C-1090
PV2R34A	Suction	F5-32-A-10	—	—	F5-32-B-10	F5-32-B-1090	F5-32-C-10	F5-32-C-1090
	Large Discharge	F5-12-A-10	F5-12-A-1080	—	F5-12-B-10	F5-12-B-1090	F5-12-C-10	F5-12-C-1090
	Small Discharge	F5-10-A-10	F5-10-A-1080	—	F5-10-B-10	F5-10-B-1090	F5-10-C-10	F5-10-C-1090

★<sup>1</sup>. In case of using socket welding flanges, there is a case where the operating pressure should be set lower than the normal because of strength of the flanges. Therefore, please pay cautious attention to the operating pressure when the socket welding flanges are used.

★<sup>2</sup>. As dimensions of the pipe flange mounting surface are conformed to SAE 4 Bolt Split Flange (Standard Pressure Series), pipe flanges conforming to the SAE Standards can be used.

Notes: Special seals (Viton seals) are required when phosphate ester type fluids are used. (Prefix "F-" to the pipe flange kit number when ordering.)

● Details of the pipe flange kits are shown on [page 824](#).

## Specifications

### Maximum Operating Pressure

Model Numbers	Max. Operating Pressure MPa (PSI)					
	Petroleum Base Oils		Water Containing Fluids			Synthetic Fluids
	Anti-Wear Type	R & O Type	Anti-Wear* <sup>1</sup> Type Water Glycols	Water Glycols	Water in Oil Emulsions	Phosphate Esters
PV2R24A-26	21 (3050)	14 (2030)	16 (2320)	7 (1020)	7 (1020)	14 (2030)
PV2R24A-33						
PV2R24A-41						
PV2R24A-47						
PV2R24A-53						
PV2R24A-59						
PV2R24A-65	21 (3050)	14 (2030)	16 (2320)	7 (1020)	7 (1020)	14 (2030)
PV2R34A-76						
PV2R34A-94						
PV2R34A-116	16 (2320)					
PV2R24A/34A-*-138	17.2 (2500)	14 (2030)	16 (2320)	7 (1020)	7 (1020)	14 (2030)
PV2R24A/34A-*-162						
PV2R24A/34A-*-193						

### Output Flow & Input Power, Shaft Speed Range and Mass

Model Numbers	Output Flow & Input Power		Shaft Speed Range r/min				Approx. Mass kg (lbs.)	
			Petroleum Base Oils		Water Containing Fluids Phosphate Esters			
	Small Volume Pump	Large Volume Pump	Max.	Min.	Max.	Min.	Flange Mtg.	Foot Mtg.
PV2R24A	Same as single pump "PV2R2", refer to pages 172 & 173. However, as for displacement of "26" and "33", refer to page 192.	Same as single pump "PV2R4A", refer to pages 179 & 180.	1800*	600	1200	600	60 (132)	70 (154)
PV2R34A	Same as single pump "PV2R3", refer to page 174.		1800*	600	1200	600	92.5 (204)	102.5 (226)

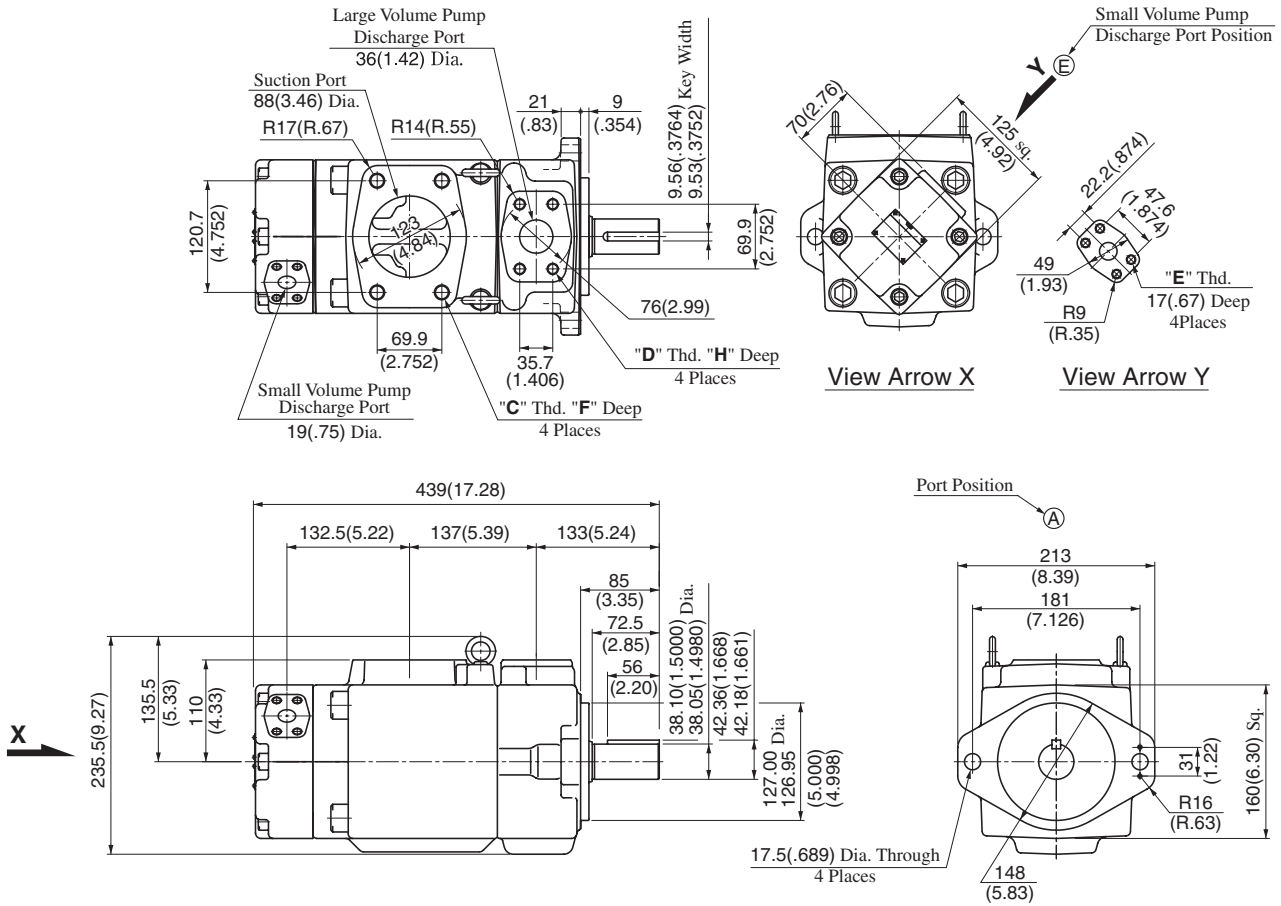
★ If the pump is used at speed above 1400 r/min, the suction pressure is limited to 0 kPa (0 in. Hg.).

# B



"PV2R24A/34A" Series  
Double Vane Pumps

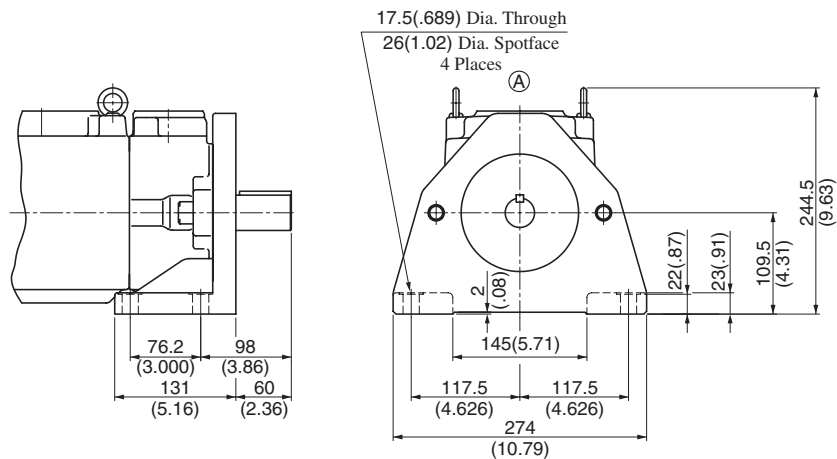
Flange Mtg.: PV2R24A-\*-F-REAA-10/1090



Model Numbers	"C" Thd.	"D" Thd.	"E" Thd.	Dimensions mm (Inches)	
				F	H
PV2R24A-*-F-REAA-10	M16	M14	M10	19 (.75)	22 (.87)
PV2R24A-*-F-REAA-1090	5/8-11 UNC	1/2-13 UNC	3/8-16 UNC	21 (.83)	21 (.83)

**DIMENSIONS IN MILLIMETRES (INCHES)**

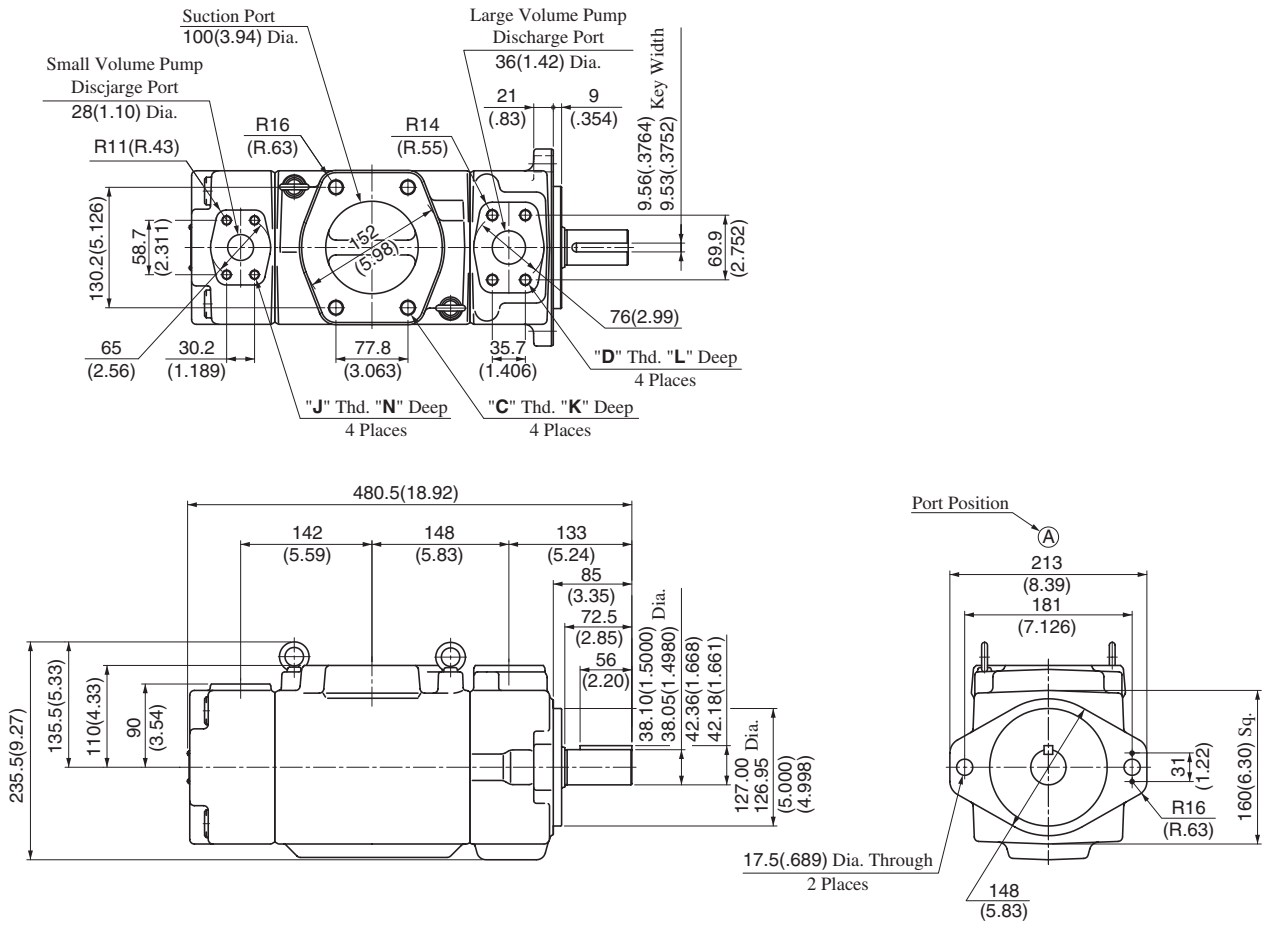
Foot Mtg.: PV2R24A-\*-L-REAA-10/1090



• For other dimensions, refer to "Flange Mtg.".



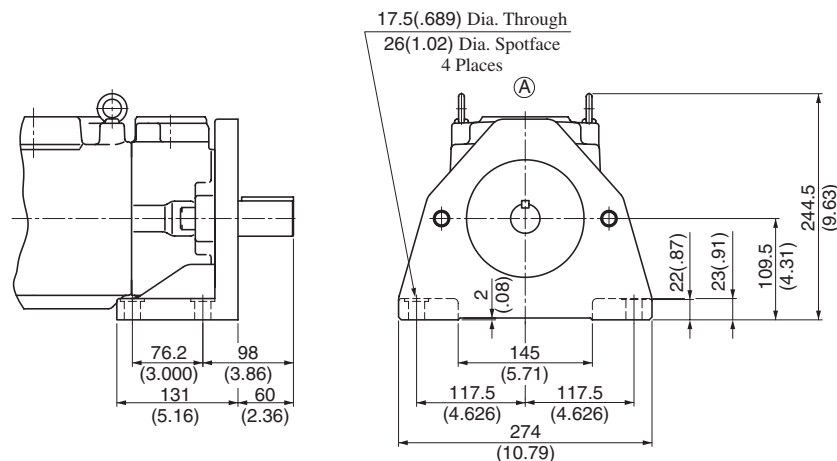
Flange Mtg.: PV2R34A-\*-F-RAAA-10/1090



Model Numbers	"C" Thd.	"D" Thd.	"J" Thd.	Dimensions mm (Inches)		
				K	L	N
PV2R34-*-F-RAAA-10	M16	M14	M10	19 (.75)	22 (.87)	19 (.75)
PV2R34-*-F-RAAA-1090	5/8-11 UNC	1/2-13 UNC	7/16-14 UNC	21 (.83)	21 (.83)	20 (.79)

DIMENSIONS IN MILLIMETRES (INCHES)

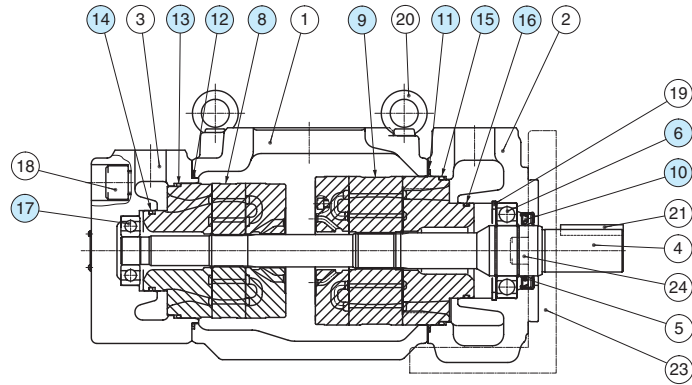
Foot Mtg.: PV2R34A-\*-L-RAAA-10/1090



• For other dimensions, refer to "Flange Mtg."

**Spare Parts List**

PV2R24A-\*\*\*-REAA-10/1090  
 PV2R34A-\*\*\*-RAAA-10/1090



**Cartridge Kits**

Model Numbers	Cartridge Kit Numbers	
	⑧ Small Volume Pump	⑨ Large Volume Pump
PV2R24A-26-★-**-REAA-10*	CPV2R23-26-L-41	CPV2R4A-★-R-10
PV2R24A-33-★-**-REAA-10*	CPV2R23-33-L-41	
PV2R24A-41-★-**-REAA-10*	CPV2R23-41-L-41	
PV2R24A-47-★-**-REAA-10*	CPV2R23-47-L-41	
PV2R24A-53-★-**-REAA-10*	CPV2R23-53-L-41	
PV2R24A-59-★-**-REAA-10*	CPV2R23-59-L-41	
PV2R24A-65-★-**-REAA-10*	CPV2R23-65-L-41	CPV2R34A-★-R-10
PV2R34A-76-★-**-REAA-10*	CPV2R33-76-L-31	
PV2R34A-94-★-**-REAA-10*	CPV2R33-94-L-31	
PV2R34A-116-★-**-REAA-10*	CPV2R33-116-L-31	

Note: The ★ marks are a spaces for large volume pump nominal displacement. Referring to the model No. designation on page 196, write correct nominal displacement figures.

**Seals & Bearings**

Item	Name of Parts	Part Numbers		Qty.
		PV2R24A	PV2R34A	
6	Bearing	6209	6209	1
10★	Oil Seal	ISD 45 68 12	ISD 45 68 12	1
11★	O-Ring	SO-NB-G140	SO-NB-G140	1
12★	O-Ring	SO-NB-G105	SO-NB-G135	1
13★	O-Ring	SO-NB-G85	SO-NB-G115	1
14★	O-Ring	SO-NB-P46	SO-NB-A231	1
15★	O-Ring	SO-NB-A250	SO-NB-A250	1
16★	O-Ring	SO-NB-G80	SO-NB-G80	1
17	Bearing	—	6305	1

Note: 1) The o-rings under item. Nos. ⑮ and ⑯ are included in the large volume pump cartridge kit and those under item. Nos. ⑬ and ⑭ in the small volume pump cartridge kit.  
 2) For pumps for phosphate ester type hydraulic fluids, different part Nos. are used. Please contact us.

**List of Seal Kits**

Pump Model Numbers	Seal Kit Numbers
PV2R24A-**-**-REAA-10*	KS-PV2R24A-10
PV2R34A-**-**-RAAA-10*	KS-PV2R34A-10

★ When ordering seals, please specify the seal kit number from the table above.