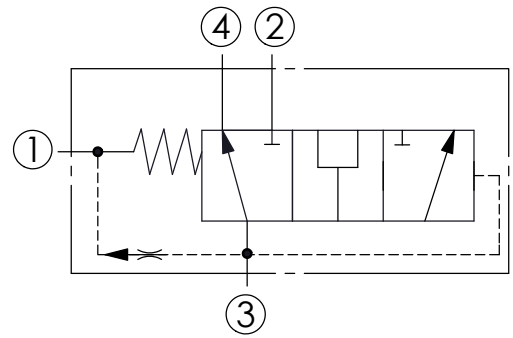
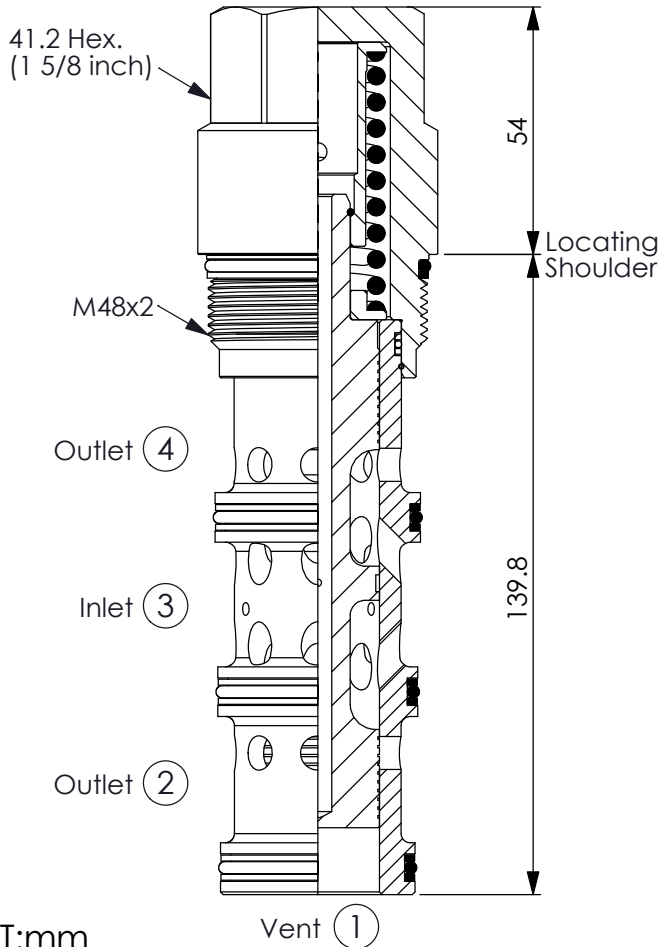


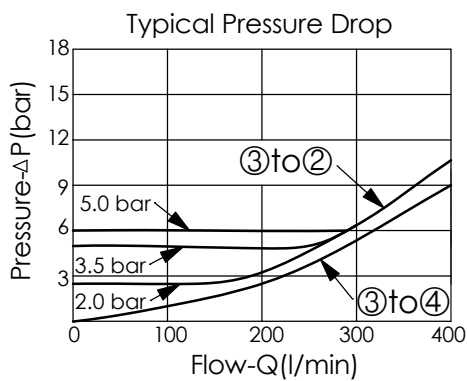
DIRECTIONAL VALVE (3-Way, 2-Position, Vent to Shift)

Ordering Code: **DQ-34A-X-Y-Z**



TECHNICAL DATA

Max. pressure:	350	bar
Rated flow:	480	l/min
Cavity-Tooling:	34A-4	
Installation torque:	475-500	Nm
Weight:	1.60	kg
Nominal Vent Flow(0.6 l/min.)		



X OPERATION

41 Vent to shift
Normally Open Diverter

Z OPTIONS

N Non-adjustable

Y SPRINGS

Cracking pressure

20 2.0 bar

35 3.5 bar

50 5.0 bar