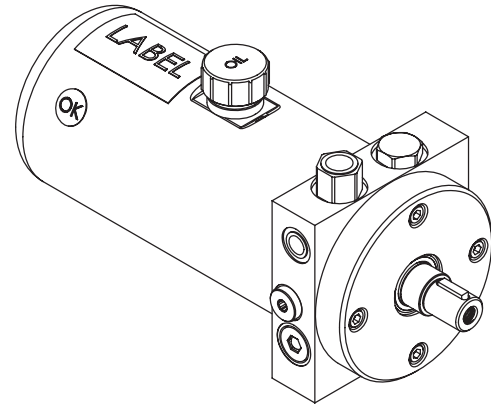
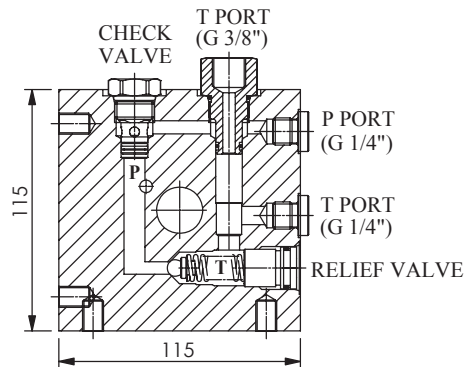
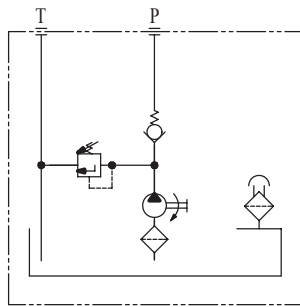
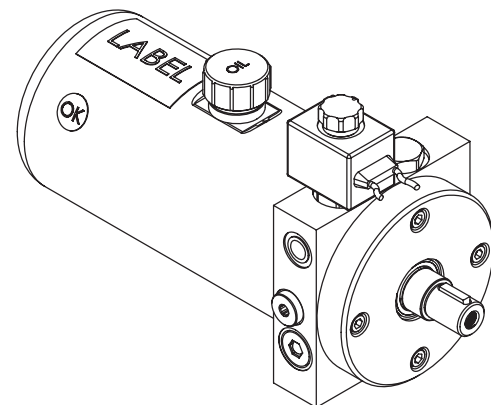
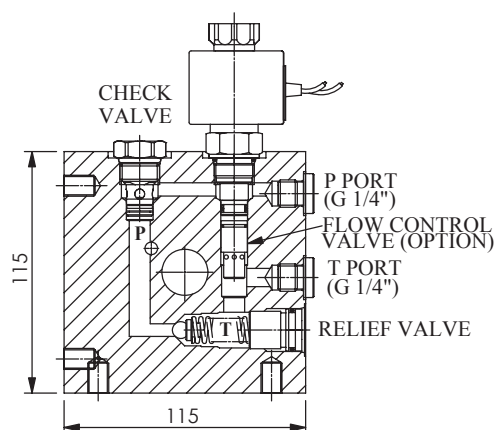
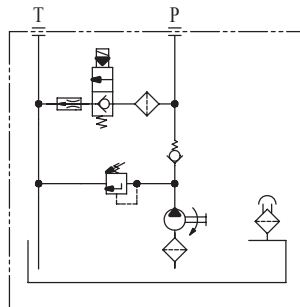


N Type



S Type



The W81BT mini power pack series is designed for use with belts powered by various engines. These mini power packs have been designed mostly for agricultural use, but can be used in other fields.

- ◆ Tank sizes vary from 0.5L to 1.7L.
- ◆ Pump capacity range is from 0.5cc/rev to 7.3cc/rev.

The purpose for the mini design is to save space. The power pack is only 115mm by 115mm. If you have any questions or need a custom design, please feel free to contact us.