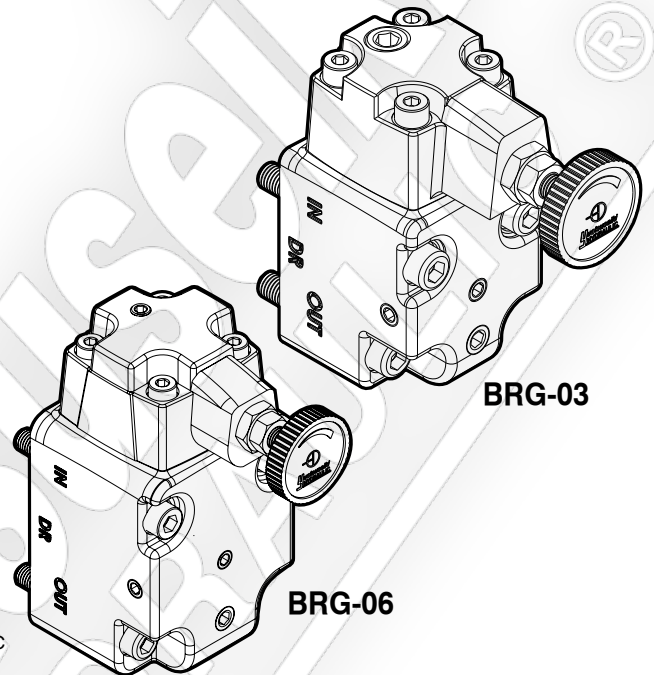


- 減壓溢流閥是用於液壓平衡回路中兼有減壓和平衡功能的組合式壓力控制閥。
- 一個減壓閥、溢流閥和一個止回閥組成的常規回路能被一個減壓溢流閥替代。這能使平衡壓力的調整簡便，使回路大大簡化而且降低成本。如果負載變化，平衡壓力只要操作壓力調整手把即能方便地重新設定。減壓溢流閥能用於如加工中心的平衡機構的液壓回路中。
- Pressure reducing relief valve is used in hydraulic balance circuit, it is an assembled pressure control valve with functions of pressure reducing and balancing.
- A normal circuit composed of a pressure reducing valve, relief valve, and a check valve can be substituted by a pressure reducing relief valve. It makes the adjustment of pressure balancing simple, to simplify the circuit and lower the cost. If load changes, you just need to operate the pressure adjusting handle to reset for pressure balancing. Pressure reducing relief valve can be used in hydraulic circuit of balance mechanism at machining center.



型號意義 How to order :

BRG - 06 - ※

1 2 3

1 系列號	Series
2 口徑代號	Valve size 03:3/8", 06:3/4", 10:1-1/4"
3 壓力調整範圍	Pressure adjusting range

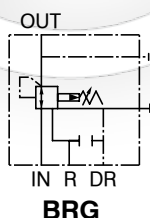
產品規格 Specification :

名稱 Name	口徑 Valve Size	型號 Model	壓力調整範圍 Pressure Adj. Range (Kgf/cm ²)	最大流量 Max. Flow (ℓ/min)	重量 Weight (Kg)
減壓溢流閥 Pressure reducing relief valve	3/8	BRG-03	7~70	40	3.8
	3/4	BRG-06		100	7.5

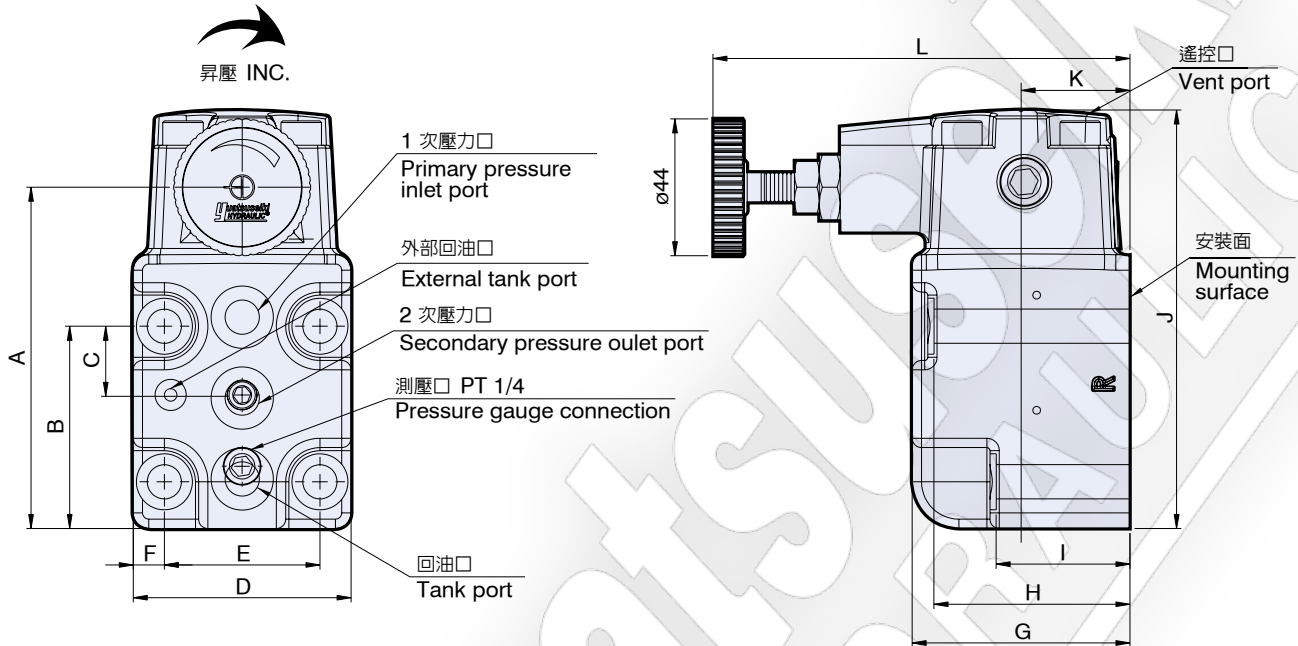
附件 Attachment :

型號 Model	安裝螺絲 Mounting bolts		O 型環 O-Ring		
BRG-03	M10 x 75L 2支 piece	M10 x 55L 2支 piece	JIS B 2401-1B-P7 1條 piece	JIS B 2401-1B-P16 3條 piece	
BRG-06	M10 x 85L 2支 piece	M10 x 70L 2支 piece	JIS B 2401-1B-P7 1條 piece	JIS B 2401-1B-P25 3條 piece	

圖形符號 Graphic symbol :



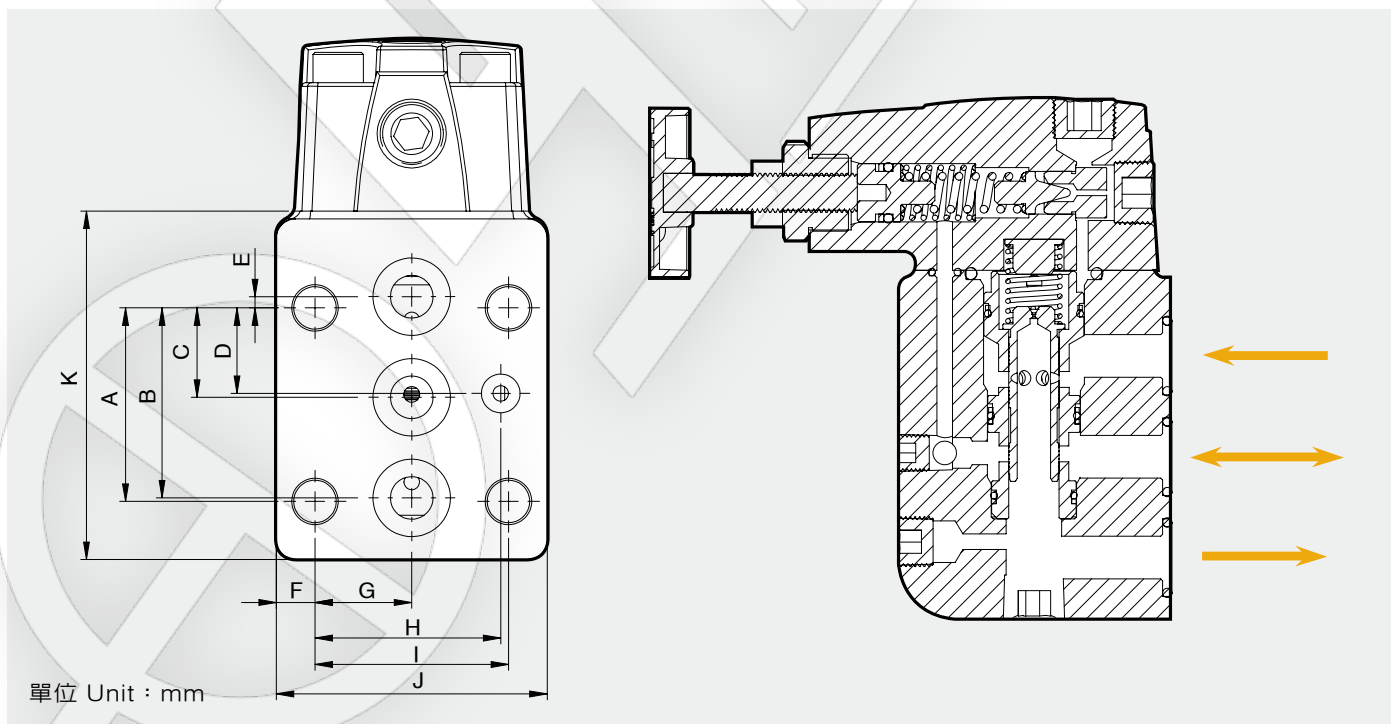
BRG-03.06



單位 Unit : mm

型號 Model	A	B	C	D	E	F	G	H	I	J	K	L
BRG-03	110	65	22.1	70	50	10	70	63	43	134.5	35	134
BRG-06	142	95	37.45	90	70	10	80	70	55	169.5	40	138.5

底版尺寸圖 Bottom plate dimensions

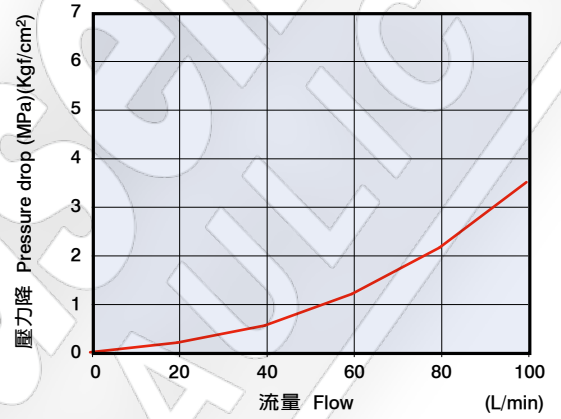
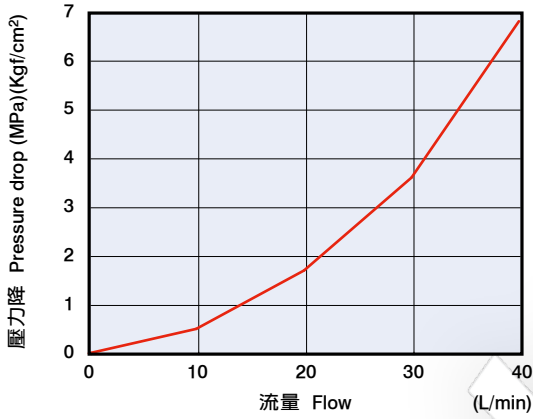


型號 Model	A	B	C	D	E	F	G	H	I	J	K
BRG-03	50	49.1	23.1	22.1	2.9	10	25	50	48	70	90
BRG-06	75	75	37.5	37.45	0	10	35	70	66.95	90	120

性能曲線圖 Performance curves

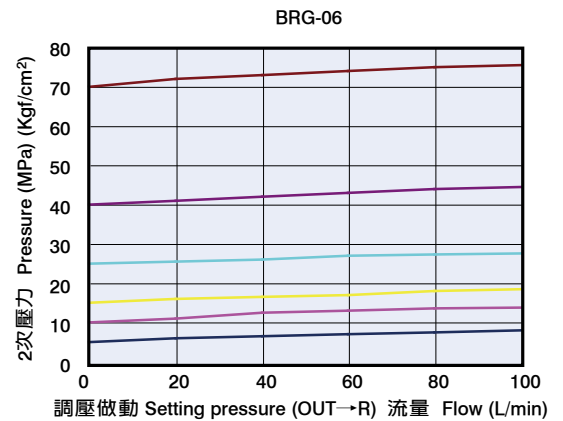
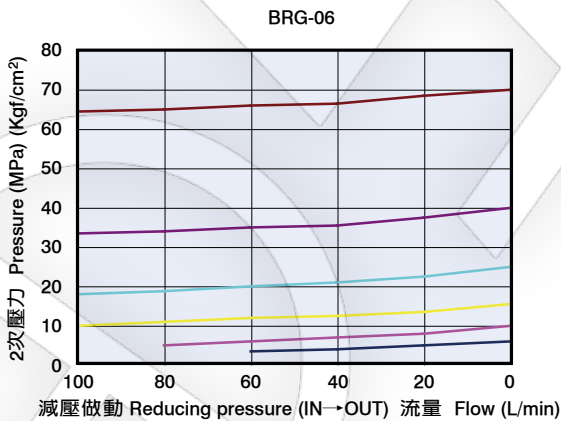
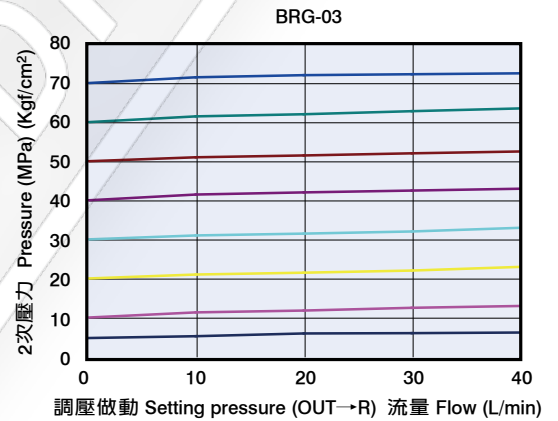
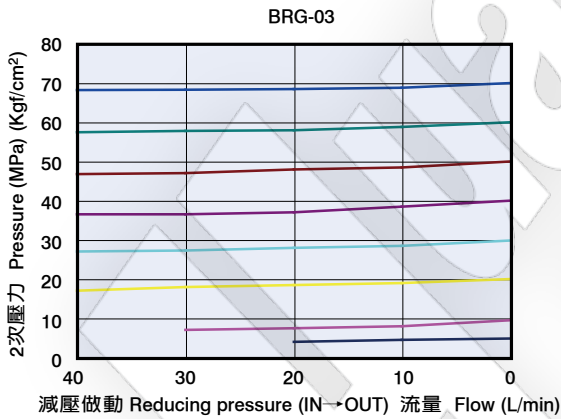
■ 流量-壓力降特性曲線圖 Flow vs. Pressure drop curve chart.

使用油：黏度 Test fluid viscosity: 35mm²/s {cSt}



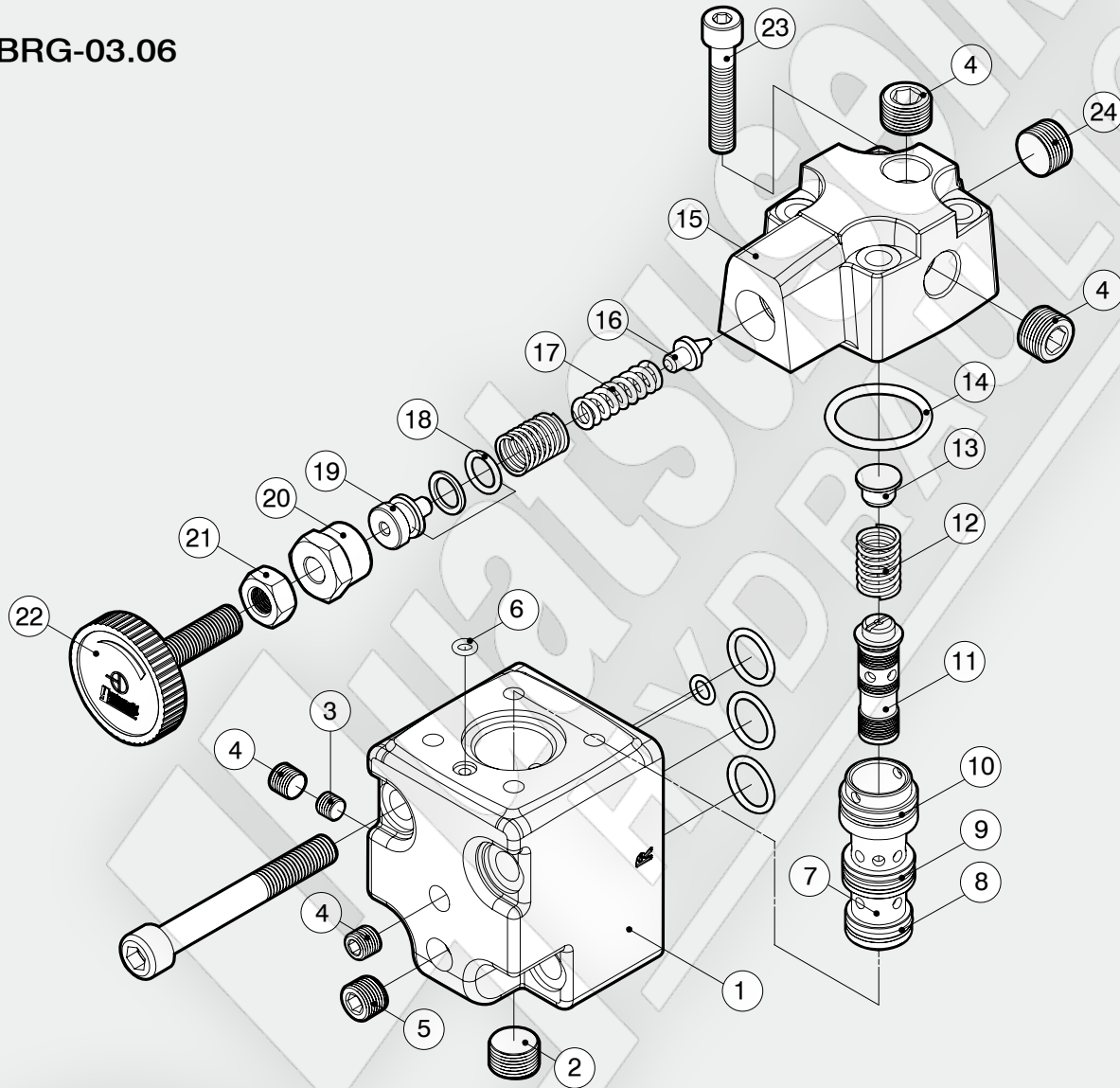
■ 流量-壓力特性曲線圖
The characteristic curve chart of Flow vs. Pressure.

1次壓力 Pressure: 17.5MPa {175kgf/cm²}



爆炸圖 How to order for a complete assembled valve

BRG-03.06



項次編號 No.	品名 Name of parts	數量 Q
1	本體 Body	1
2	BRG-03 PT 3/8	1
	BRG-06 PT 1/2	1
3	PT 1/16	1
4	PT 1/8	2
5	BRG-03 PT 1/4	3
	BRG-06 PT 1/4	2
6	BRG-03 JIS B 2401-1B-P5	1
	BRG-06 JIS B 2401-1B-P6	1
7	心軸閥座 Spool seat	1
8	BRG-03 2-018 x 1, 8-018 x 1	1
	BRG-06 2-023 x 1, 8-023 x 1	1
9	BRG-03 2-019 x 1, 8-019 x 2	1
	BRG-06 2-024 x 1, 8-024 x 2	1
10	BRG-03 2-020 x 1, 8-020 x 1	1
	BRG-06 2-027 x 1, 8-027 x 1	1
11	心軸 Spool	1

項次編號 No.	品名 Name of parts	數量 Q
12	BRG-03 彈簧 Spring	1
	BRG-06 彈簧 Spring (R x 1, L x 1)	1
13	BRG-03 彈簧固定墊圈 Spring retainer	1
	BRG-06 無 None	
14	BRG-03 JIS B 2401-1B-G30	1
	BRG-06 JIS B 2401-1B-G40	1
15	閥蓋 Cover	1
16	針閥 Pilot poppet	1
17	BRG-03 彈簧 Spring (R x 1, L x 1)	1
	BRG-06 彈簧 Spring	1
18	JIS B 2401-1A-P11, JIS B 2407-T2-P11	1
19	推桿 Push rod	1
20	把手螺母 Nut	1
21	六角螺母 Nut	1
22	壓力調整把手 Pressure adj. handle	1
23	BRG-03 M8 x 45L	4
	BRG-06 M10 x 45	4
24	PT3/8	2