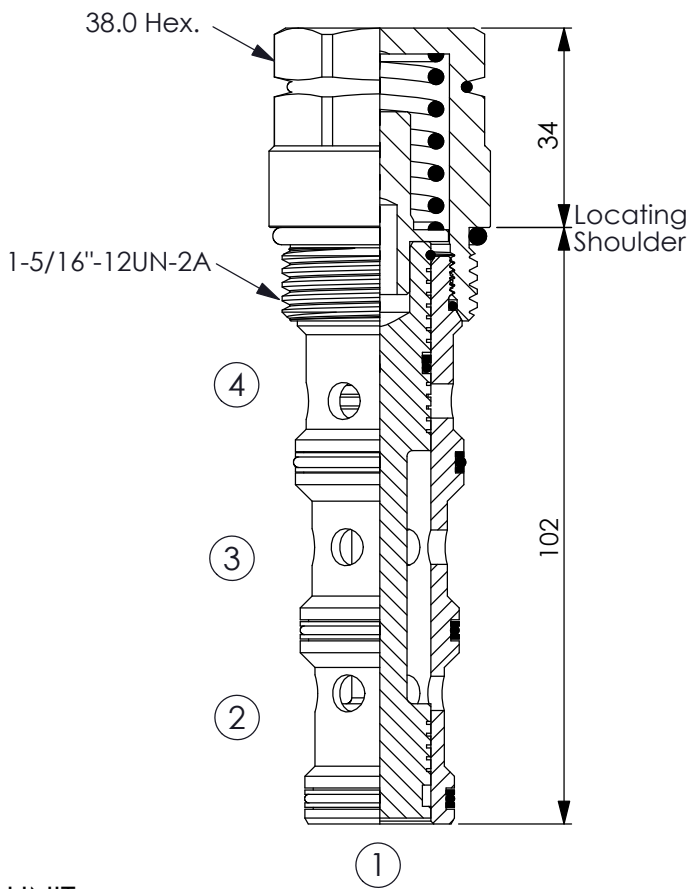
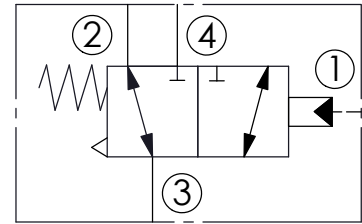


## DIRECTIONAL VALVE (Piloted 3 -Way Spool, External Vent)

Ordering Code: **DD-16W-X-Y-Z**

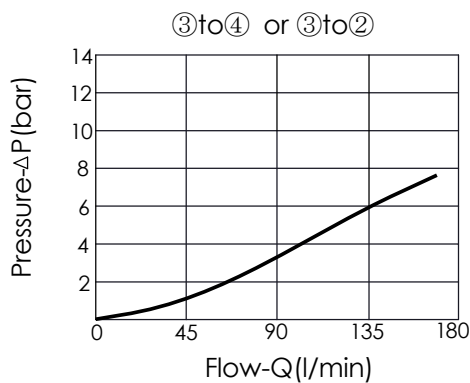


UNIT:mm



### TECHNICAL DATA

Max. pressure:	240	bar
Rated flow:	170	l/min
Cavity-Tooling:	16W-4	
Installation torque:	60-70	Nm
Weight:	0.52	kg



### X OPERATION

**4S** External Vent

**Y**

### SPRINGS

Cracking pressure

**70**

7.0 bar

**117**

11.7 bar

**Z**

### OPTIONS

**N**

Non-adjustable