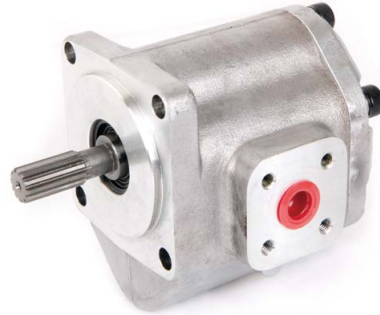
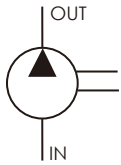


HGP-3AS

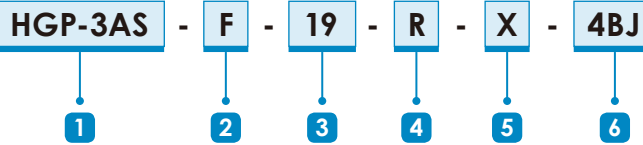
- ▶ Displacement : 4~19.2 cc/rev
- ▶ Max. Pressure : 250 kgf/cm²
(3500psi)
- ▶ Flange : JIS 4-bolt



SCHEMATIC SYMBOL



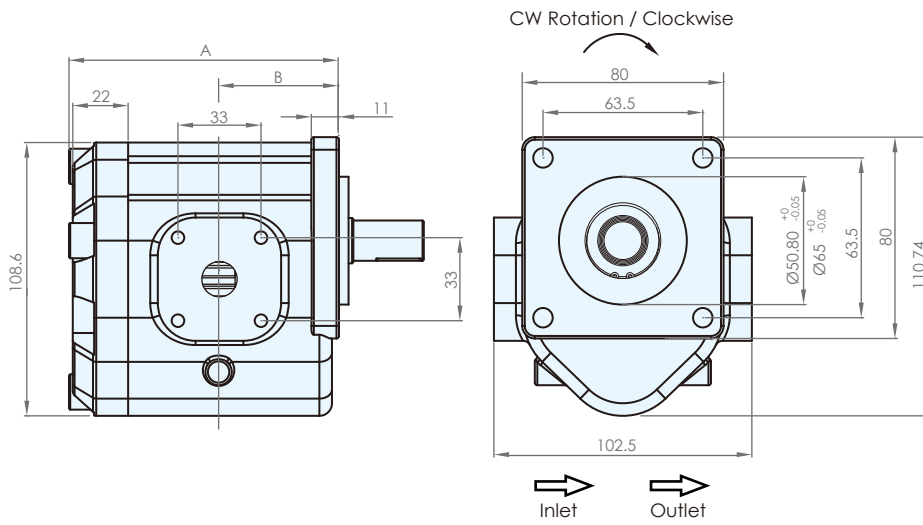
ORDER CODES



1 Model Name	HGP-3AS	
2 Mounting	F	flange type
	L	foot type
3 Delivery Capacity	4, 6, 8, 11, 13, 14, 17, 19	
4 Rotation Direction	R	clockwise
	L	counter - clockwise
5 Shaft Type	X	straight shaft
	Y	spline shaft
	Z	taper shaft
6 Flange Mounting Type	4BJ	JIS 4-bolt

SPECIFICATIONS

Model	Accurate Displacement Capacity (cc/rev)	Operational Pressure (kgf/cm ²)	Max. Pressure (kgf/cm ²)	Speed (r.p.m.)			Ports Size (PT)		Weight (kg)
				Rate	Max.	Min.	Inlet	Outlet	
HGP-3AS-4	4	210	250	1800	4000	700	3/4"	1/2"	1.77
HGP-3AS-6	6	210	250	1800	4000	700	3/4"	1/2"	1.85
HGP-3AS-8	8.4	210	250	1800	3500	700	3/4"	1/2"	1.93
HGP-3AS-11	11	210	250	1800	3000	600	3/4"	1/2"	2.08
HGP-3AS-13	13	210	250	1800	3000	600	3/4"	1/2"	2.18
HGP-3AS-14	14.3	210	250	1800	3000	500	3/4"	1/2"	2.30
HGP-3AS-17	16.5	210	250	1800	3000	500	3/4"	1/2"	2.41
HGP-3AS-19	19.2	210	250	1800	3000	500	3/4"	1/2"	2.53

DIMENSIONS (unit : mm)


Model	A	B
HGP-3AS-4	101	48.5
HGP-3AS-6	105	50
HGP-3AS-8	109	51.5
HGP-3AS-11	113	54
HGP-3AS-13	117	56
HGP-3AS-14	119	57
HGP-3AS-17	123	59
HGP-3AS-19	127	61

* The dimension of shafts please refers to Page 17.
 The dimension of inlet and outlet sizes please refer to Page 17.