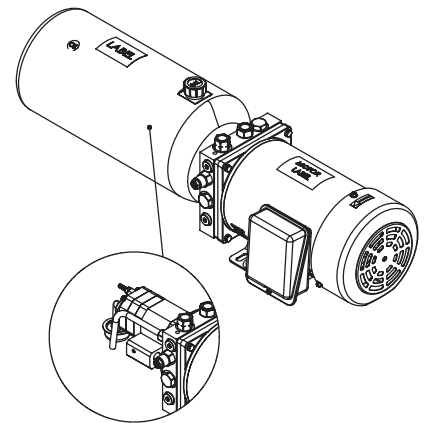
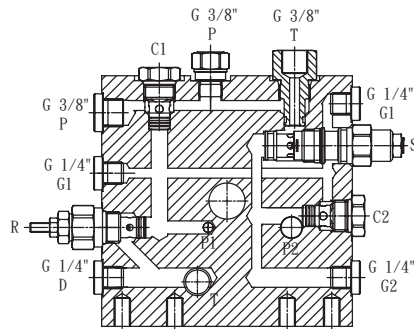
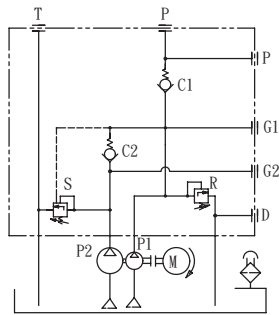
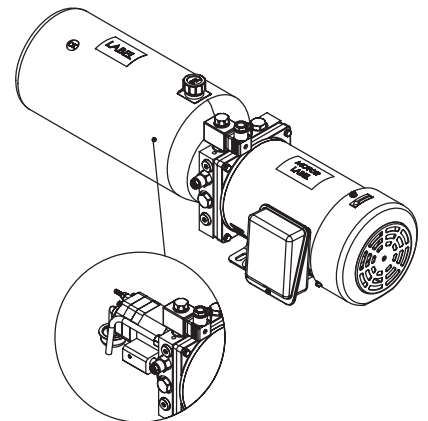
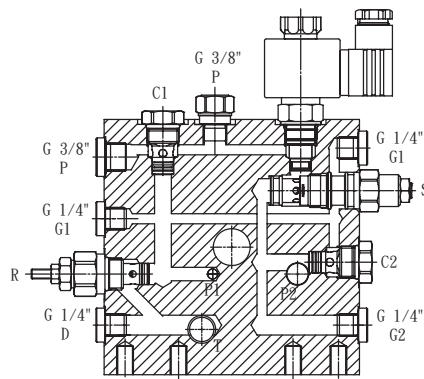
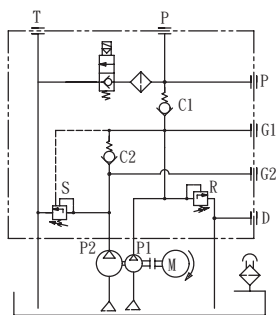


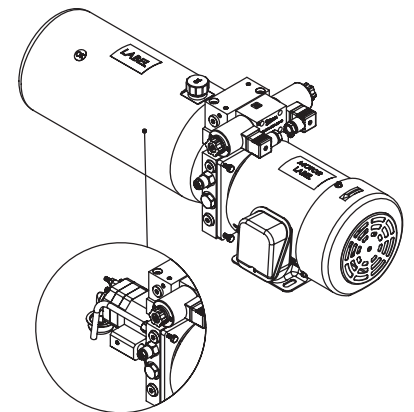
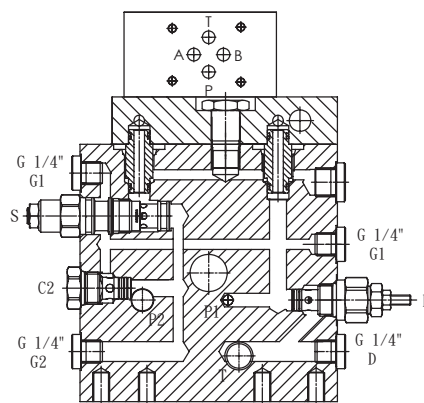
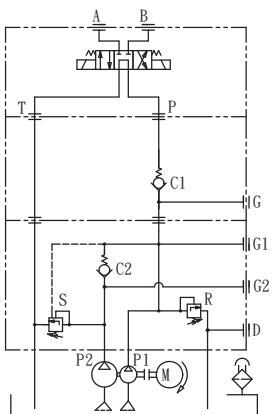
N Type



S Type



A Type + Cetop 03



The W83A series power pack is designed for applications that need high pressure and larger flow, but use a low-power A.C. motor. The power pack uses a special manifold (W800553). All screw-in cartridge valves have been designed to be adjusted easily to service the power pack quickly. They still have the same dimensions and functions as the standard manifold (W800532).

- ◆ Our standard AC motors range from 0.25HP to 3.0HP.
- ◆ Pump capacity range is from 0.5cc/rev to 7.3cc/rev.
- ◆ Standard tank sizes vary from 2.4L to 8.0L. Tailor made tanks are also available.
- ◆ Hydraulic circuit valves can be inter-changed with the standard manifold. Custom made circuits are also available.

Before the power packs leave our factory they are fully inspected and tested by our QA/QC (ISO 9001) team. If you have any questions or need a custom design, please feel free to contact us.