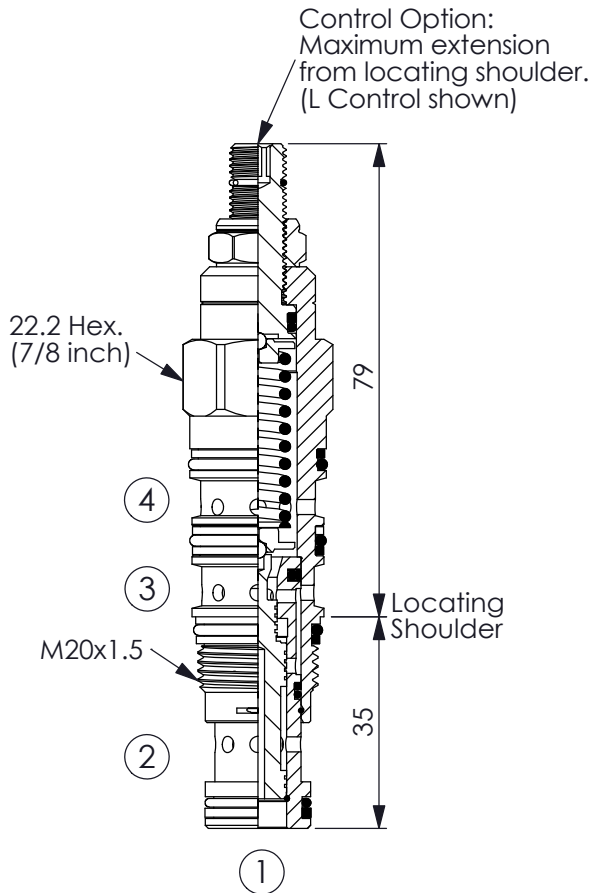


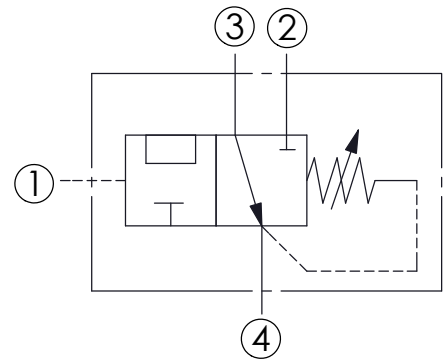
DIRECTIONAL VALVE

(3-Way, 2-Position Direct Acting, External Drain)

Ordering Code: **DD-21A-X-Y-Z**



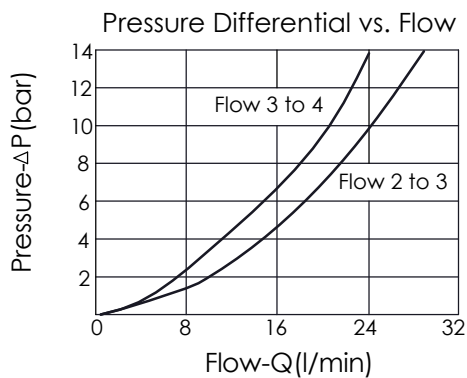
UNIT:mm



TECHNICAL DATA

Max. pressure:	350	bar
Rated flow:	28	l/min
Cavity-Tooling:	21A-4	
Installation torque:	45-50	Nm
Weight:	0.18	kg

Direct Acting, External Drain,
Port 3 to 4 open, port 2 blocked



X OPERATION

4R Direct Acting Pilot Stage

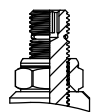
Y PRESSURE SETTING

E 1.7 to 28 bar (14 bar Standard Setting)

N 4 to 55 bar (25 bar Standard Setting)

Z OPTIONS

L Leakproof hex. socket screw.



C Stainless Steel Tamper Resistant Cover.

