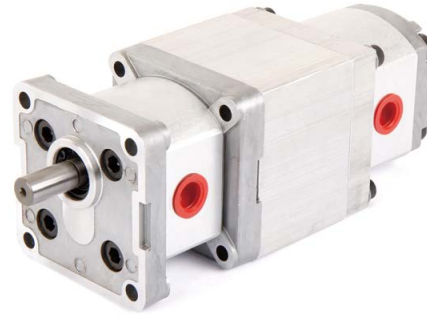
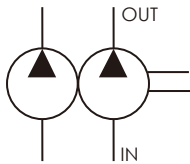


HGP-11A

- Displacement : 0.5-8 cc/rev (single)
- Max. Pressure : 250 kgf/cm²
(3500psi)
- Flange : SAE 2-bolt, DIN 4-bolt,
European 4-bolt



SCHEMATIC SYMBOL



ORDER CODES

HGP-11A - F - 22 - R - X - 4BD

1

2

3

4

5

6

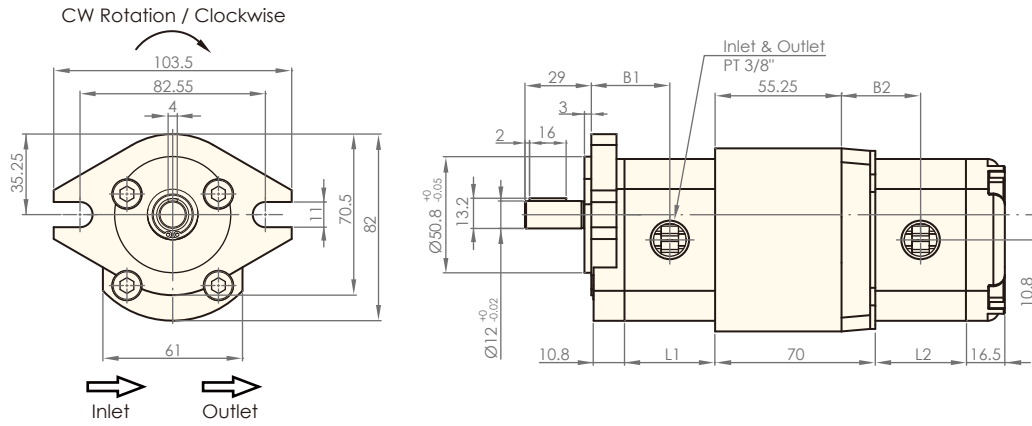
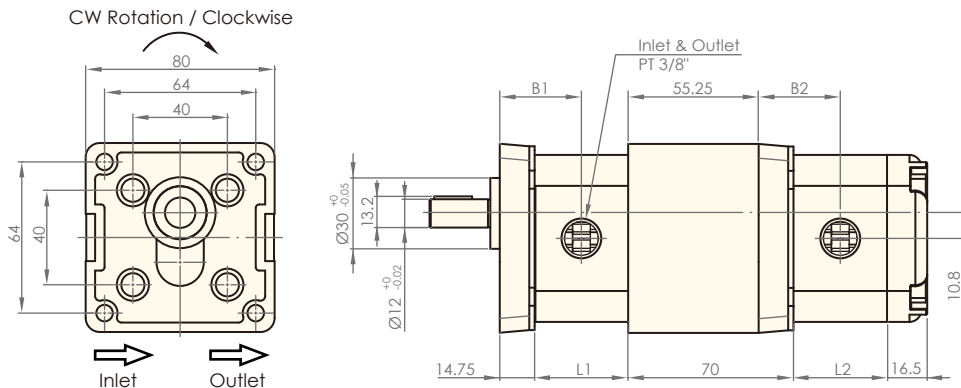
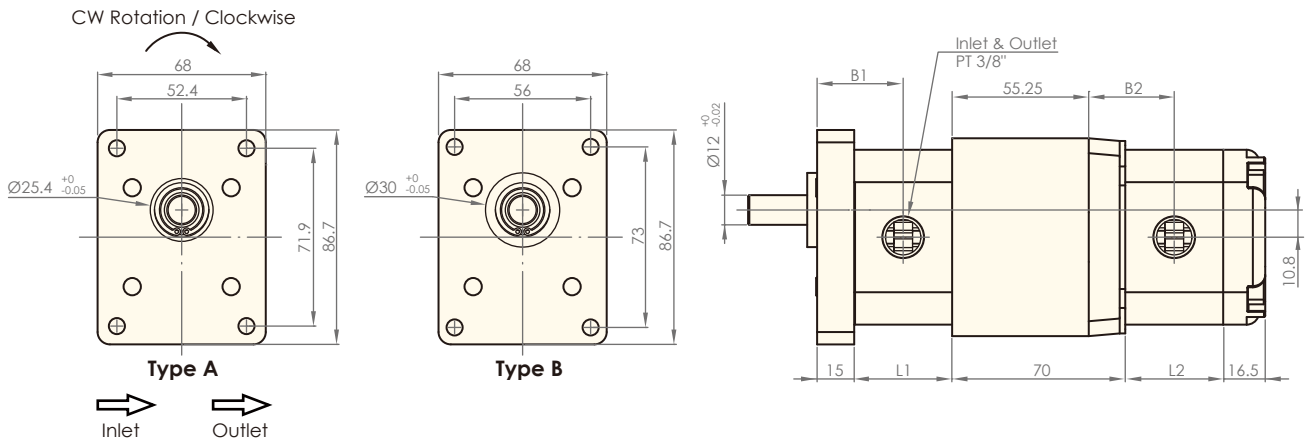
1 Model Name	HGP-11A	
2 Mounting	F	flange type
	L	foot type
3 Delivery Capacity	0505, 0808, 11, 22, 2626, 33, 44, 55, 66, 88	
4 Rotation Direction	R	clockwise
	L	counter - clockwise
5 Shaft Type	X	straight shaft
	Y	spline shaft
6 Flange Mounting Type	2B	SAE 2-bolt
	4BD	DIN 4-bolt
	4BE	European 4-bolt

SPECIFICATIONS

Model	Accurate Displacement Capacity (cc/rev)	Operational Pressure (kgf/cm ²)	Max. Pressure (kgf/cm ²)	Speed (r.p.m.)			Weight (kg)
				Rate	Max.	Min.	
HGP-11A-0505	0.5+0.5	210	250	1800	4500	1000	2.61
HGP-11A-0808	0.8+0.8	210	250	1800	4500	1000	2.71
HGP-11A-11	1+1	210	250	1800	4500	1000	2.81
HGP-11A-22	2+2	210	250	1800	4500	600	2.91
HGP-11A-2626	2.6+2.6	210	250	1800	4500	600	3.11
HGP-11A-33	3+3	210	250	1800	4500	600	3.13
HGP-11A-44	4+4	210	250	1800	4000	600	3.17
HGP-11A-55	5+5	210	250	1800	3200	600	3.21
HGP-11A-66	6+6	210	250	1800	3200	600	3.41
HGP-11A-88	8+8	170	210	1800	3200	600	3.61

* We provide many options to meet your displacement inquiries of tandem gear pumps, such as HGP-11A-63 (6+3 cc/rev)

DIMENSIONS (unit : mm)

HGP-11A-2B

HGP-11A-4BE

HGP-11A-4BD


Model	L1, L2	B1	B2	Model	L1, L2	B1, B2
HGP-11A-05-2B, 4BD	34	32	31.75	HGP-11A-05-4BE	34	31.75
HGP-11A-08-2B, 4BD	35	32.5	32.25	HGP-11A-08-4BE	35	32.25
HGP-11A-1-2B, 4BD	37	33.5	33.25	HGP-11A-1-4BE	37	33.25
HGP-11A-2-2B, 4BD	40.5	35.25	35	HGP-11A-2-4BE	40.5	35
HGP-11A-26-2B, 4BD	42	36	35.75	HGP-11A-26-4BE	42	35.75
HGP-11A-3-2B, 4BD	45	37.5	37.25	HGP-11A-3-4BE	45	37.25
HGP-11A-4-2B, 4BD	47	38.5	38.25	HGP-11A-4-4BE	47	38.25
HGP-11A-5-2B, 4BD	51	40.5	40.25	HGP-11A-5-4BE	51	40.25
HGP-11A-6-2B, 4BD	55	42.5	42.25	HGP-11A-6-4BE	55	42.25
HGP-11A-8-2B, 4BD	61	45.5	45.25	HGP-11A-8-4BE	61	45.25