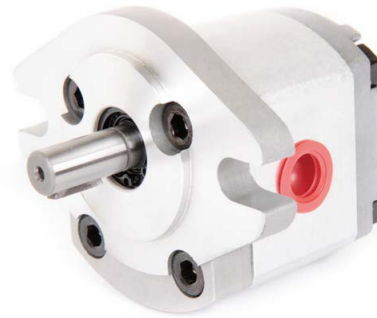
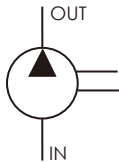


HGP-1A

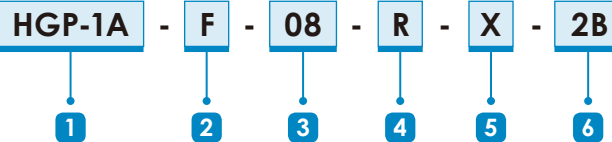
- ▶ Displacement : 0.5~7.8 cc/rev
- ▶ Max. Pressure : 250 kgf/cm²
(3500psi)
- ▶ Flange : SAE 2-bolt, DIN 4-bolt,
European 4-bolt



SCHEMATIC SYMBOL



ORDER CODES



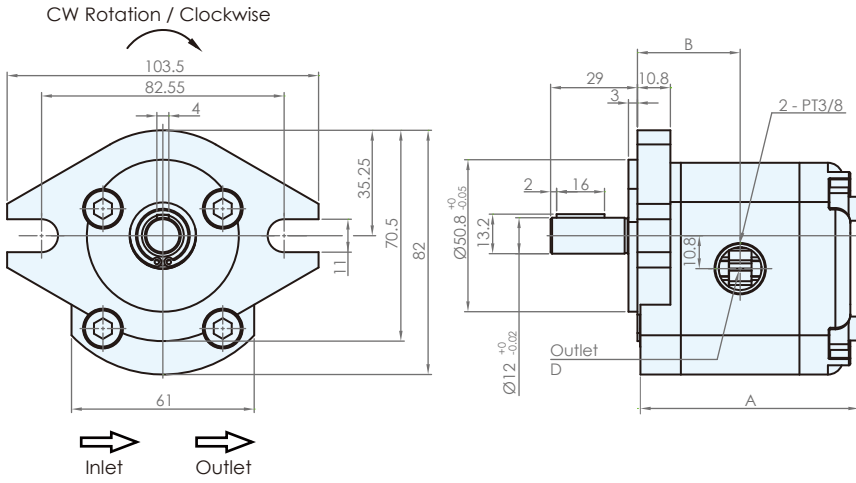
1 Model Name	HGP-1A	
2 Mounting	F	flange type
	L	foot type
3 Delivery Capacity	05, 08, 1, 2, 26, 3, 4, 5, 6, 8	
4 Rotation Direction	R	clockwise
	L	counter - clockwise
5 Shaft Type	X	straight shaft
	Y	spline shaft
	M	hydraulic motor *
6 Flange Mounting Type	2B	SAE 2-bolt
	4BD	DIN 4-bolt
	4BE	European 4-bolt

* Please contact the local distributors to obtain the specifications of hydraulic motors.

SPECIFICATIONS

Model	Accurate Displacement Capacity (cc/rev)	Operational Pressure (kgf/cm ²)	Max. Pressure (kgf/cm ²)	Speed (r.p.m.)			Weight (kg)
				Rate	Max.	Min.	
HGP-1A-05	0.5	210	250	1800	4500	1000	1.0
HGP-1A-08	0.8	210	250	1800	4500	1000	1.0
HGP-1A-1	1	210	250	1800	4500	1000	1.0
HGP-1A-2	2	210	250	1800	4500	600	1.05
HGP-1A-26	2.6	210	250	1800	4500	600	1.15
HGP-1A-3	3	210	250	1800	4500	600	1.15
HGP-1A-4	4	210	250	1800	4000	600	1.18
HGP-1A-5	5	210	250	1800	3200	600	1.2
HGP-1A-6	6	210	250	1800	3200	600	1.3
HGP-1A-8	7.8	170	210	1800	3200	600	1.4

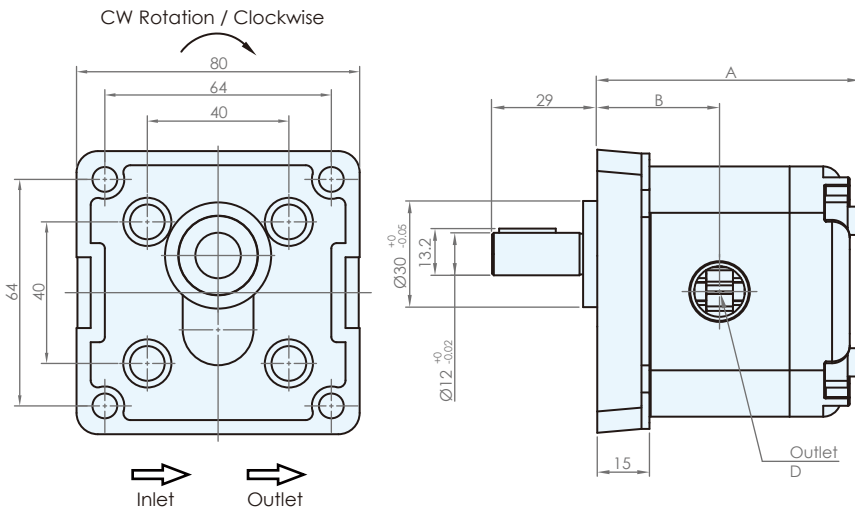
* HGP-1A-05 and HGP-1A-26 do not belong to regular products. Customized service can be provided.

DIMENSIONS (unit : mm)
HGP-1A-2B


Model	A	B	C Inlet	D Outlet
HGP-1A-08	67.5	32.5	PT 3/8"	PT 3/8"
HGP-1A-1	69.5	33.5	PT 3/8"	PT 3/8"
HGP-1A-2	72	34.8	PT 3/8"	PT 3/8"
HGP-1A-3	77.5	37.5	PT 3/8"	PT 3/8"
HGP-1A-4	79.5	38.5	PT 3/8"	PT 3/8"
HGP-1A-5	83.5	40.5	PT 3/8"	PT 3/8"
HGP-1A-6	87.5	42.5	PT 3/8"	PT 3/8"
HGP-1A-8	93.5	45.5	PT 1/2"	PT 3/8"

* Thread: NPT or PT is optional.

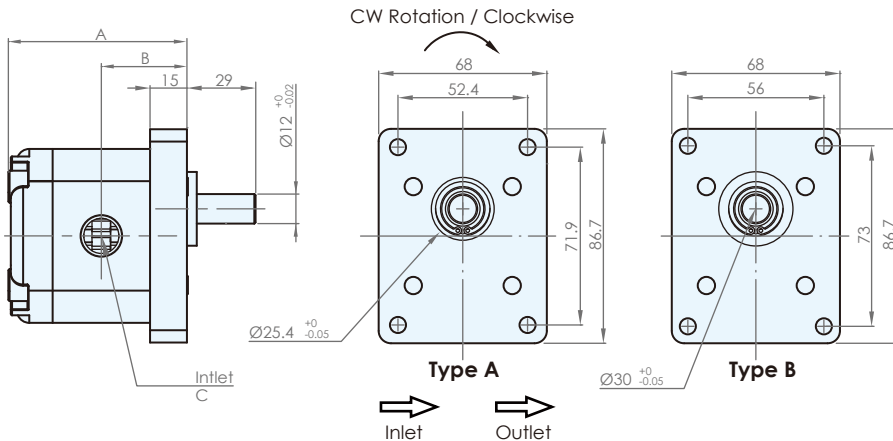
* If you want to order HGP-1A-05 or HGP-1A-26, please email us to get further information.

HGP-1A-4BE


Model	A	B	C Inlet	D Outlet
HGP-1A-08	75.5	32.5	PT 3/8"	PT 3/8"
HGP-1A-1	77.5	33.5	PT 3/8"	PT 3/8"
HGP-1A-2	80.1	34.8	PT 3/8"	PT 3/8"
HGP-1A-3	85.5	37.5	PT 3/8"	PT 3/8"
HGP-1A-4	87.5	38.5	PT 3/8"	PT 3/8"
HGP-1A-5	91.5	40.5	PT 3/8"	PT 3/8"
HGP-1A-6	95.5	42.5	PT 3/8"	PT 3/8"
HGP-1A-8	101.5	45.5	PT 1/2"	PT 3/8"

* Thread: NPT or PT is optional.

* If you want to order HGP-1A-05 or HGP-1A-26, please email us to get further information.

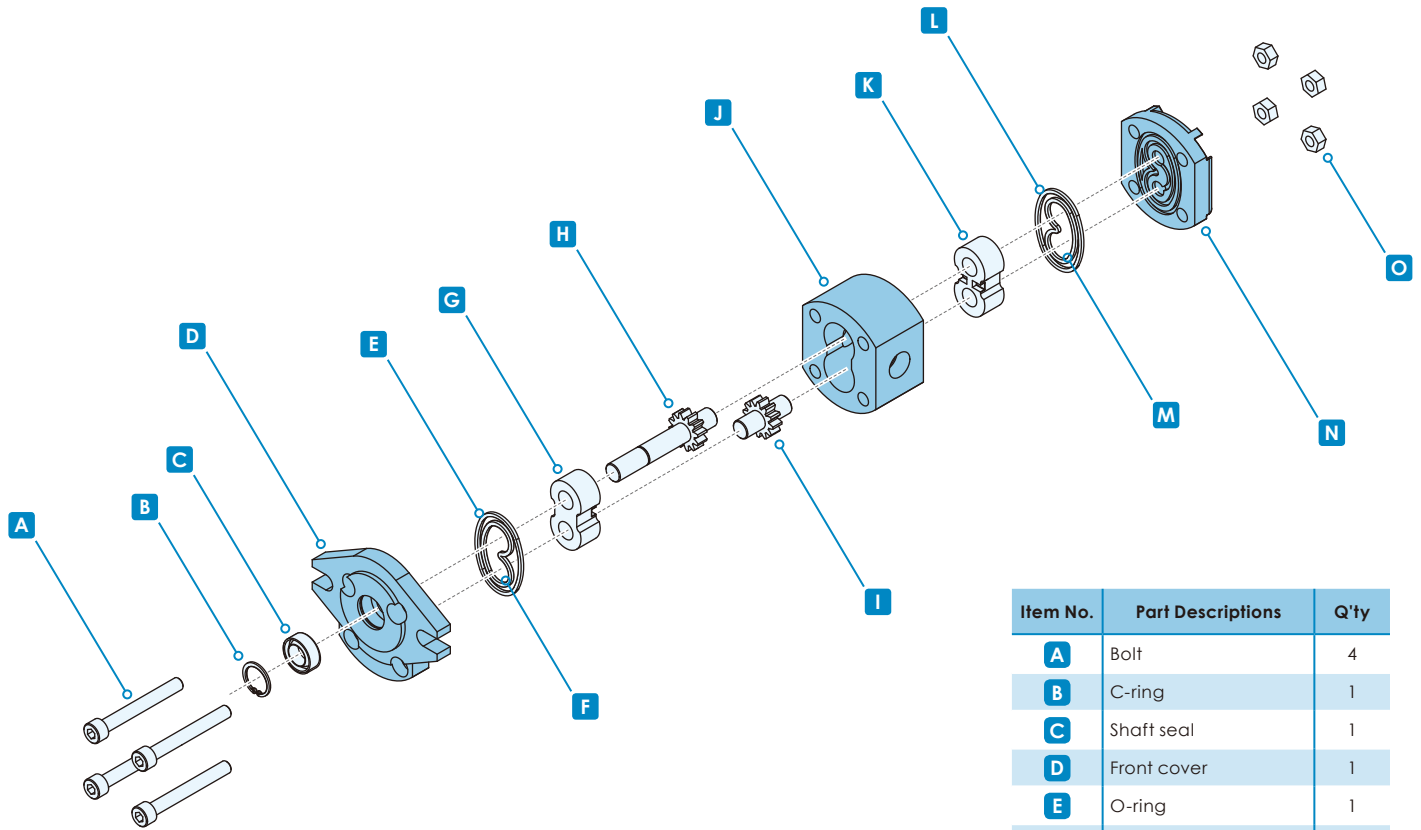
HGP-1A-4BD


Model	A	B	C Inlet	D Outlet
HGP-1A-08	67.5	32.5	PT 3/8"	PT 3/8"
HGP-1A-1	69.5	33.5	PT 3/8"	PT 3/8"
HGP-1A-2	72	34.8	PT 3/8"	PT 3/8"
HGP-1A-3	77.5	37.5	PT 3/8"	PT 3/8"
HGP-1A-4	79.5	38.5	PT 3/8"	PT 3/8"
HGP-1A-5	82.5	40.5	PT 3/8"	PT 3/8"
HGP-1A-6	87.5	42.5	PT 3/8"	PT 3/8"
HGP-1A-8	93.5	45.5	PT 1/2"	PT 3/8"

* Thread: NPT or PT is optional.

* If you want to order HGP-1A-05 or HGP-1A-26, please email us to get further information.

DECOMPOSITION CHARTS



Item No.	Part Descriptions	Q'ty
A	Bolt	4
B	C-ring	1
C	Shaft seal	1
D	Front cover	1
E	O-ring	1
F	Bush lobe seal	1
G	Matching bearing	1
H	Drive gear	1
I	Drive gear	1
J	Housing	1
K	Matching bearing	1
L	Bush lobe seal	1
M	O-ring	1
N	Rear cover	1
O	Nut	4