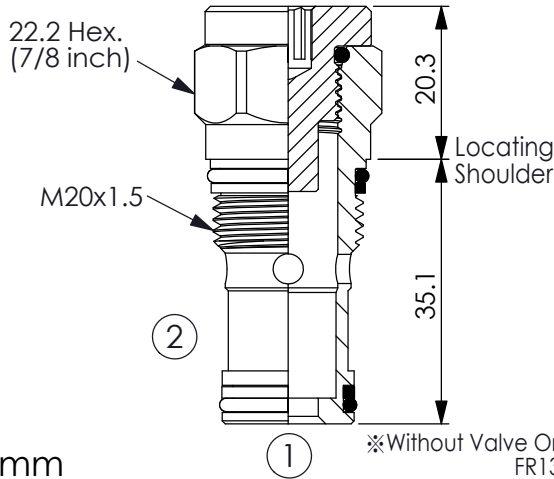
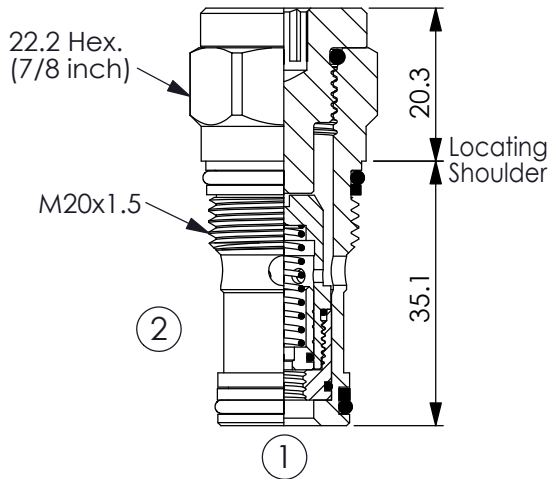


FLOW CONTROL VALVE (Fixed Orifice, Pressure Compensated)

Ordering Code: **FR-13A-X-Y-Z**



UNIT:mm

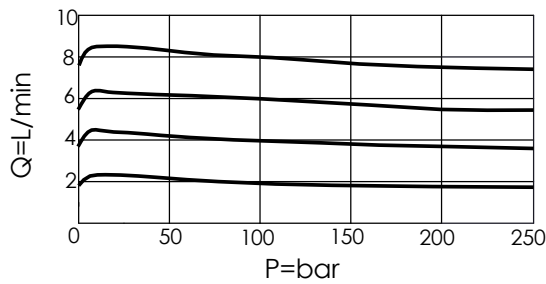
※Without Valve Order Code:
FR13A2F0000N



TECHNICAL DATA

| | | |
|----------------------|--------|-------|
| Pressure min-max: | 10-350 | bar |
| Rated flow: | 10 | l/min |
| Cavity-Tooling: | 13A-2 | |
| Installation torque: | 40-50 | Nm |
| Weight: | 0.10 | kg |

Typical Performance



X OPERATION

2F Fixed Setting

Y FLOW SETTING

| | |
|------|---------------|
| 0000 | Without Valve |
| 0050 | 0.5 LPM |
| 0065 | 0.65 LPM |
| 0200 | 2.0 LPM |
| 0400 | 4.0 LPM |
| 0600 | 6.0 LPM |
| 0800 | 8.0 LPM |
| 1000 | 10.0 LPM |

Z OPTIONS

N Non-adjustable