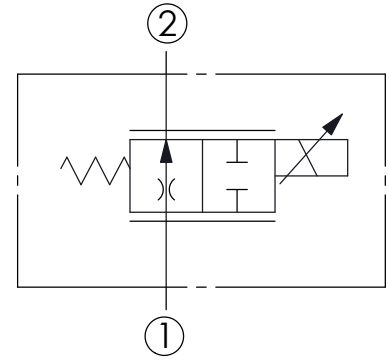
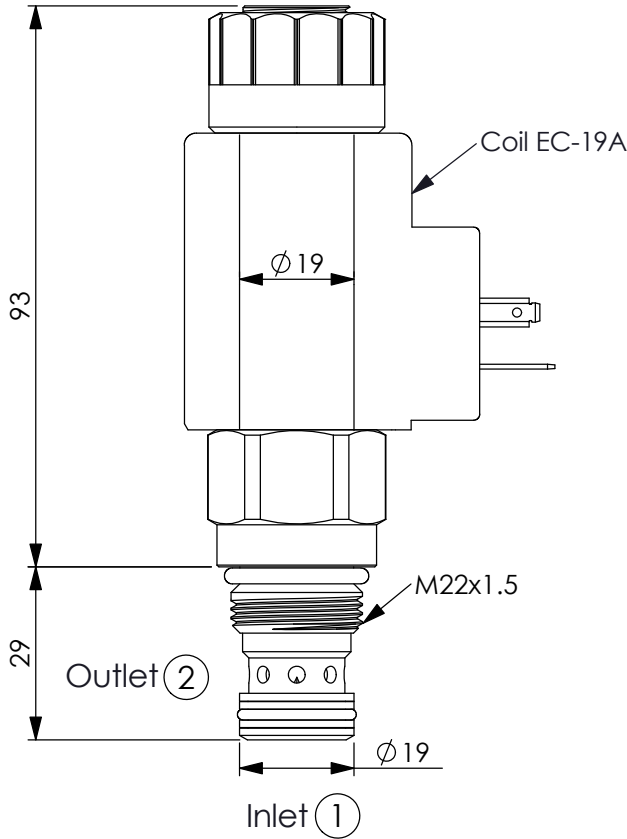


FLOW CONTROL VALVE

(Electro-Proportional Flow Control Valve, Normally Open Throttle)

Ordering Code: **PFH-22M-X-Y-Z**



TECHNICAL DATA

Max. Operating pressure: 350 bar

Rated flow: 28 l/min

Cavity-Tooling: 22M-2

Installation torque: 60-70 Nm

Linearity (with dither) <2%

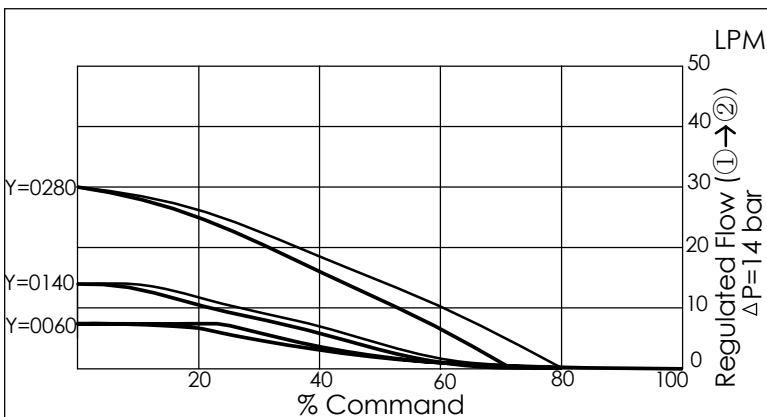
Repeatability (with dither) <2%

Hysteresis (with dither) <4%

Hysteresis with DC input <8%

Deadband, nominal (as a percentage of input) 25%

Weight: (with Coil) 0.73 kg
(without Coil) 0.50 kg



If you need more information
Please contact our sales department

Y	FLOW	
	NOMINAL CAPACITY	
0060	0.4~6 LPM	
0140	0.6~14 LPM	
0280	0.8~28 LPM (Standard)	

X	OPERATION	
2D	2 Ports · 22 Watt. Coil Ø 19 mm tube	

Z	OPTIONS	
N	Non-adjustable	
P	Push Style Manual Override	