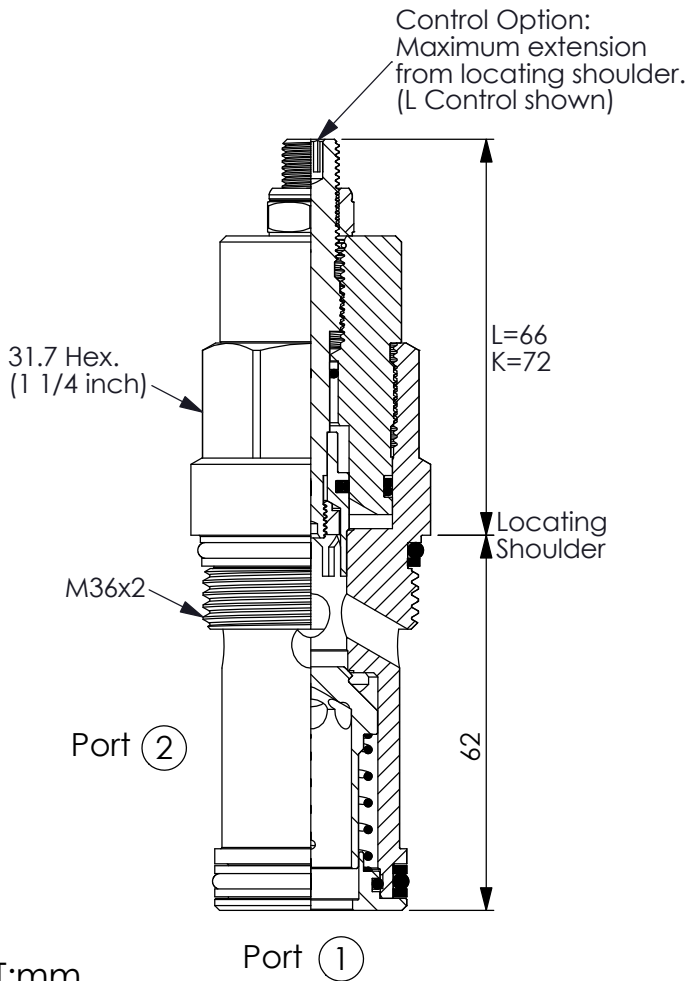
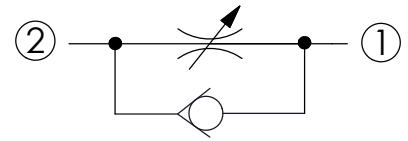


(Fully Adjustable Needle with Reverse Flow Check and Sharp-Edge Orifice)

Ordering Code: **NC-16A-X-Y-Z**



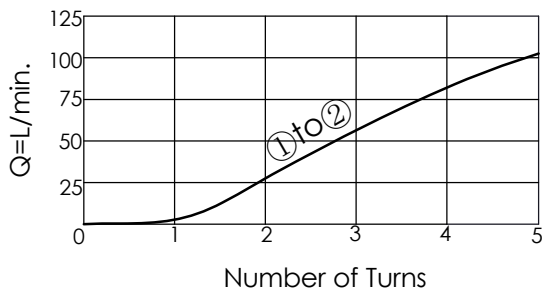
UNIT:mm



TECHNICAL DATA

Max.Operating pressure:	350 bar
Rated flow:	100 l/min ($\Delta P=7$ bar) See Performance Chart
Cavity-Tooling:	16A-2
Installation torque:	200-215 Nm
Weight:	0.58 kg

Adjustment Sensitivity at 7 bar Differential



X OPERATION

21 2 to 1 (Free Flow)

Y

OPTIONS

	Maximum Nominal Orifice	Cracking Pressure
BC	$\phi 9.7$ mm	2.0 bar

Z

OPTIONS

L	Leakproof hex. socket screw.	
K	Handknob with Lock Knob.	
T	Three-winged Handknob Kit.	