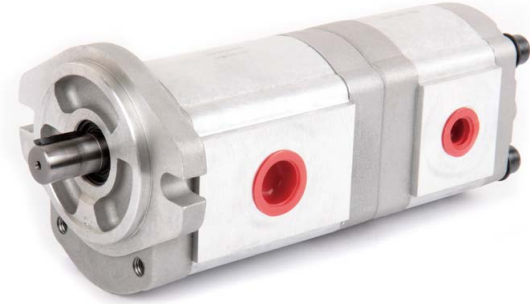
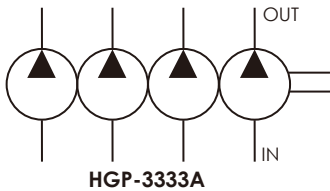
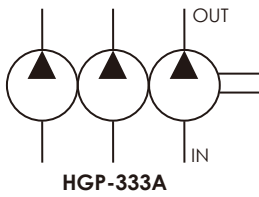
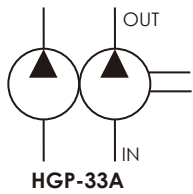


# HGP-33A

- ▶ Displacement : 2~35 cc/rev (single)
- ▶ Max. Pressure : 250 kgf/cm<sup>2</sup>  
( 3500psi )
- ▶ Flange : SAE 2-bolt, DIN 4-bolt,  
European 4-bolt



## SCHEMATIC SYMBOL



## ORDER CODES

**HGP-33A** - **F** - **1111** - **R** - **X** - **2B**

1

2

3

4

5

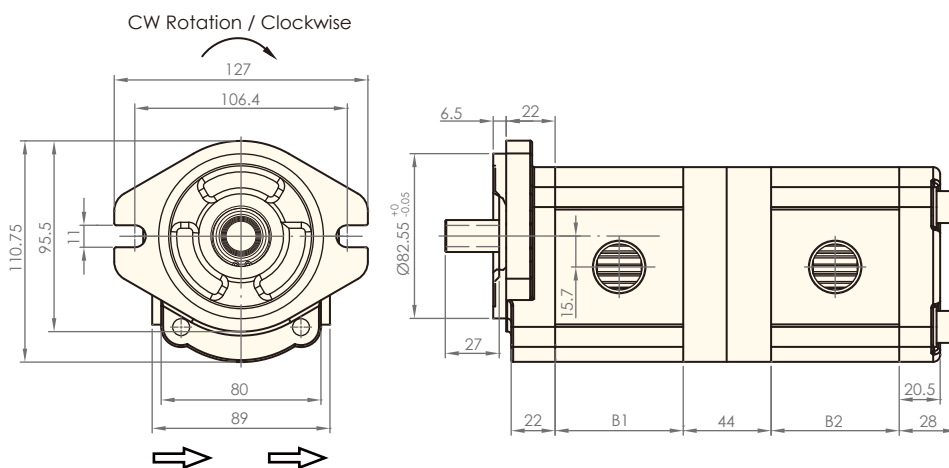
6

<b>1</b> Model Name	HGP-33A, HGP-333A, HGP-3333A	
<b>2</b> Mounting	F	flange type
	L	foot type
<b>3</b> Delivery Capacity	22, 33, 44, 66, 88, 1111, 1313, 1414, 1717, 1919, 2323, 2525, 2828, 3030, 3333, 3535	
<b>4</b> Rotation Direction	R	clockwise
	L	counter - clockwise
<b>5</b> Shaft Type	X	straight shaft
	Y	spline shaft
	Z	taper shaft
<b>6</b> Flange Mounting Type	2B	SAE 2-bolt
	4BD	DIN 4-bolt
	4BE	European 4-bolt

**SPECIFICATIONS**

Model	Accurate Displacement Capacity (cc/rev)	Operational Pressure (kgf/cm <sup>2</sup> )	Max. Pressure (kgf/cm <sup>2</sup> )	Speed (r.p.m.)			Weight (kg)
				Rate	Max.	Min.	
HGP-33A-22	2+2	210	250	1800	4000	700	4.38
HGP-33A-33	3+3	210	250	1800	4000	700	4.46
HGP-33A-44	4+4	210	250	1800	4000	700	4.58
HGP-33A-66	6+6	210	250	1800	4000	700	3.42
HGP-33A-88	8+8	210	250	1800	3500	700	3.48
HGP-33A-1111	11+11	210	250	1800	3000	600	5.20
HGP-33A-1313	13+13	210	250	1800	3000	600	5.40
HGP-33A-1414	14.3+14.3	210	250	1800	3000	500	5.52
HGP-33A-1717	16.5+16.5	210	250	1800	3000	500	5.74
HGP-33A-1919	19.2+19.2	210	250	1800	3000	500	5.98
HGP-33A-2323	23+23	210	250	1800	3000	500	6.38
HGP-33A-2525	25+25	175	210	1800	2800	500	6.48
HGP-33A-2828	28+28	175	210	1800	2500	500	6.70
HGP-33A-3030	30+30	175	210	1800	2500	500	6.90
HGP-33A-3333	33+33	140	175	1200	2500	500	7.20
HGP-33A-3535	35+35	125	140	1200	2500	500	7.42

\* We provide many options to meet your displacement inquiries of tandem gear pumps, such as HGP-33A-3530 (35+30 cc/rev).

**DIMENSIONS (unit : mm)**
**HGP-33A-2B**


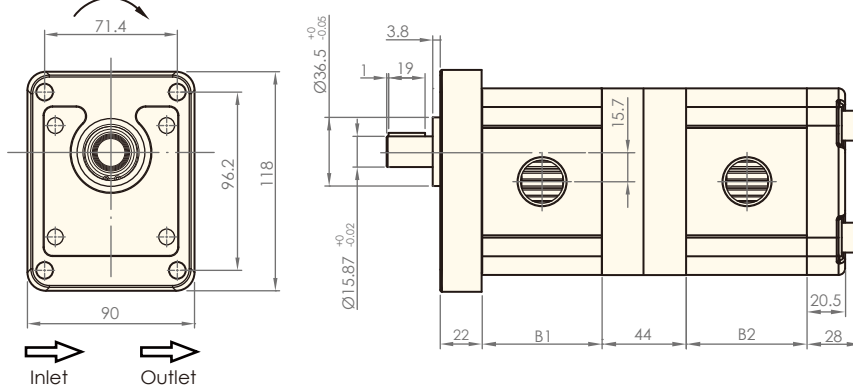
Model	B1, B2
HGP-33A-2	45.5
HGP-33A-3	47
HGP-33A-4	49
HGP-33A-6	52
HGP-33A-8	55
HGP-33A-11	60
HGP-33A-13	64
HGP-33A-14	66
HGP-33A-17	70
HGP-33A-19	74
HGP-33A-23	81
HGP-33A-25	84
HGP-33A-28	88
HGP-33A-30	92
HGP-33A-33	98
HGP-33A-35	102

\* The dimension of shafts please refers to Page 17.  
The dimension of inlet and outlet sizes please refer to Page 17.

**DIMENSIONS** ( unit : mm )

**HGP-33A-4BE**

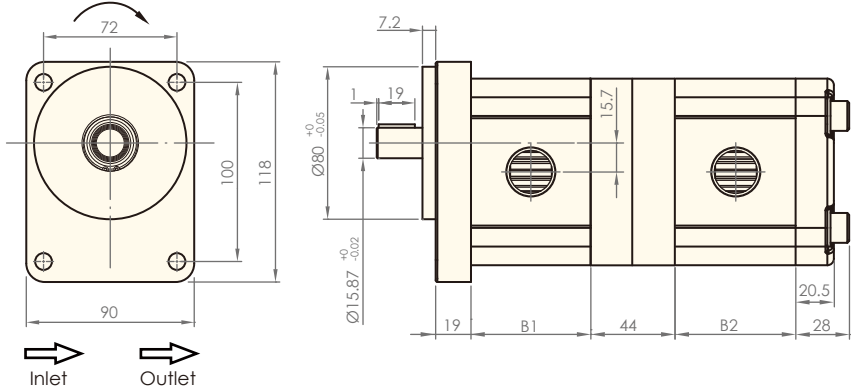
CW Rotation / Clockwise



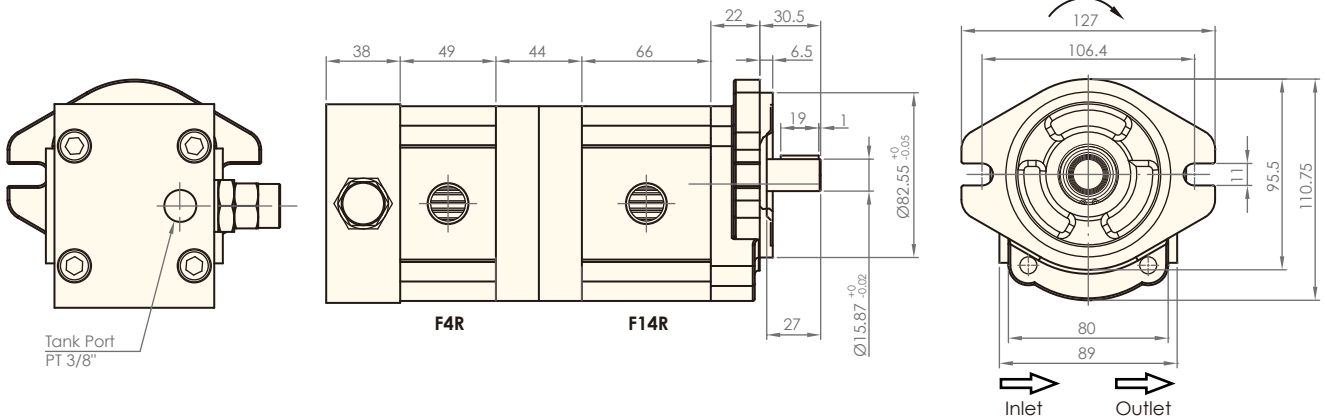
Model	B1, B2
HGP-33A-2	45.5
HGP-33A-3	47
HGP-33A-4	49
HGP-33A-6	52
HGP-33A-8	55
HGP-33A-11	60
HGP-33A-13	64
HGP-33A-14	66
HGP-33A-17	70
HGP-33A-19	74
HGP-33A-23	81
HGP-33A-25	84
HGP-33A-28	88
HGP-33A-30	92
HGP-33A-33	98
HGP-33A-35	102

**HGP-33A-4BD**

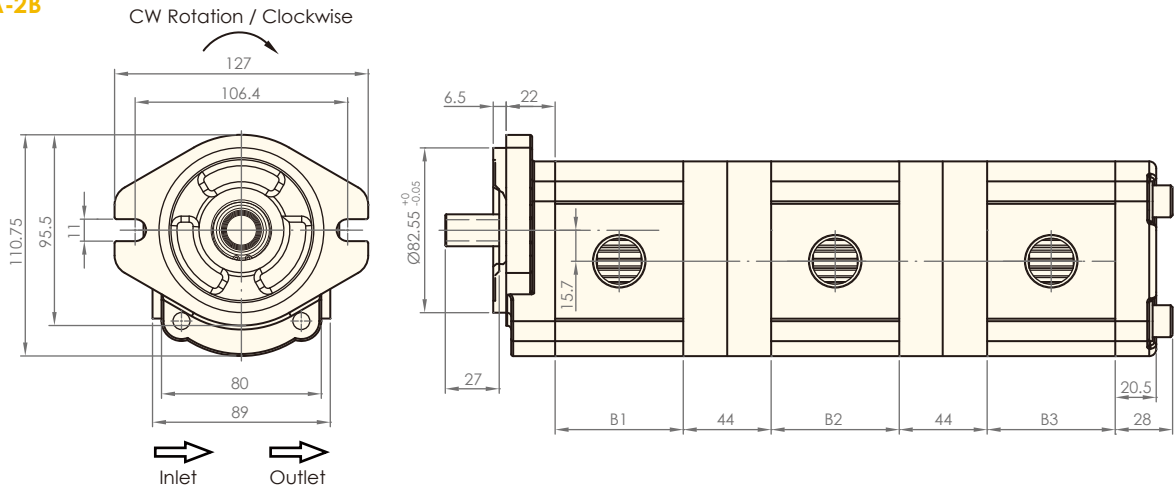
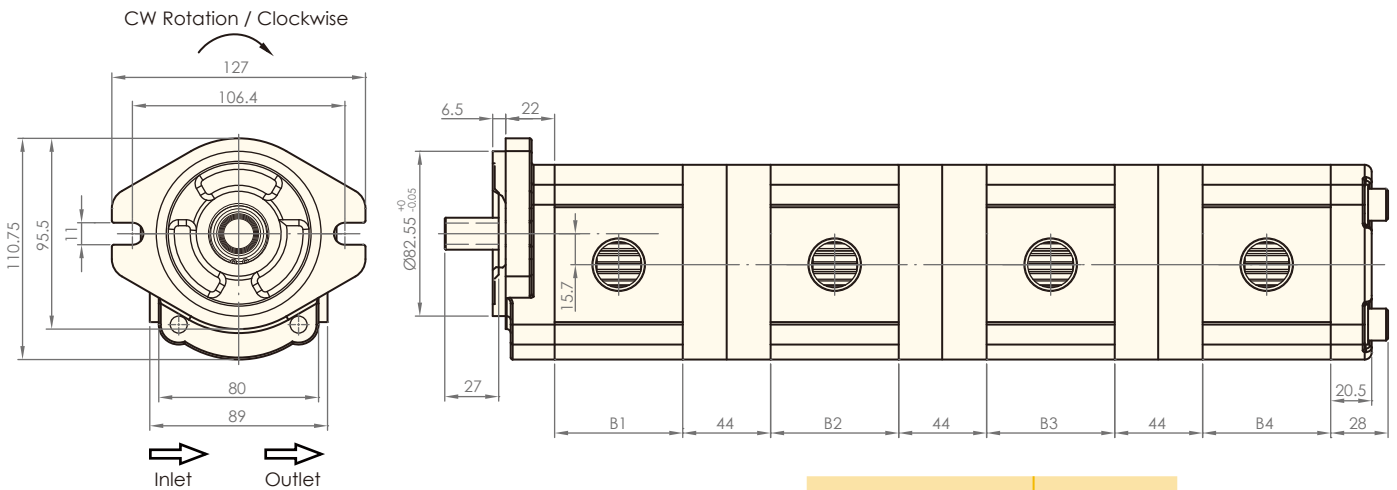
CW Rotation / Clockwise



**HGP-33A-F14+4R ( With Relief Valve )**



\* The dimension of shafts please refers to Page 17.  
The dimension of inlet and outlet sizes please refer to Page 17.

**DIMENSIONS ( unit : mm )**
**HGP-333A-2B**

**HGP-3333A-2B**


Model	B1, B2, B3, B4
HGP-333A, 3333A-2	45.5
HGP-333A, 3333A-3	47
HGP-333A, 3333A-4	49
HGP-333A, 3333A-6	52
HGP-333A, 3333A-8	55
HGP-333A, 3333A-11	60
HGP-333A, 3333A-13	64
HGP-333A, 3333A-14	66
HGP-333A, 3333A-17	70
HGP-333A, 3333A-19	74
HGP-333A, 3333A-23	81
HGP-333A, 3333A-25	84
HGP-333A, 3333A-28	88
HGP-333A, 3333A-30	92
HGP-333A, 3333A-33	98
HGP-333A, 3333A-35	102

\* The dimension of shafts please refers to Page 17.  
The dimension of inlet and outlet sizes please refer to Page 17.