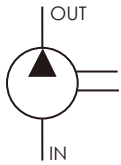


# HGP-1AU

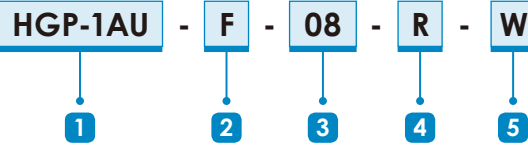
- Displacement : 0.5~7.8 cc/rev
- Max. Pressure : 250 kgf/cm<sup>2</sup>  
( 3500psi )



## SCHEMATIC SYMBOL



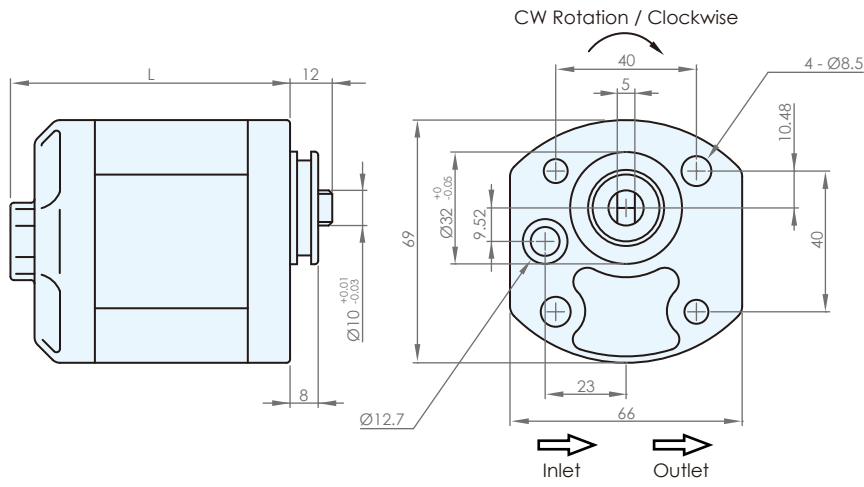
## ORDER CODES



<b>1</b> Model Name	HGP-1AU	
<b>2</b> Mounting	F	flange type
<b>3</b> Delivery Capacity	05, 08, 1, 2, 26, 3, 4, 5, 6, 8	
<b>4</b> Rotation Direction	R	clockwise
	L	counter - clockwise
<b>5</b> Shaft Type	W	tang shaft

## SPECIFICATIONS

Model	Accurate Displacement Capacity (cc/rev)	Operational Pressure (kgf/cm <sup>2</sup> )	Max. Pressure (kgf/cm <sup>2</sup> )	Speed (r.p.m.)			Weight (kg)
				Rate	Max.	Min.	
HGP-1AU-05	0.5	210	250	1800	4500	1000	0.6
HGP-1AU-08	0.8	210	250	1800	4500	1000	0.65
HGP-1AU-1	1	210	250	1800	4500	1000	0.7
HGP-1AU-2	2	210	250	1800	4500	600	0.75
HGP-1AU-26	2.6	210	250	1800	4500	600	0.85
HGP-1AU-3	3	210	250	1800	4500	600	0.86
HGP-1AU-4	4	210	250	1800	4000	600	0.88
HGP-1AU-5	5	210	250	1800	3200	600	0.9
HGP-1AU-6	6	210	250	1800	3200	600	1.0
HGP-1AU-8	7.8	170	210	1800	3200	600	1.1

**DIMENSIONS (unit : mm)**


Model	L
HGP-1AU-05	75
HGP-1AU-08	76
HGP-1AU-1	78
HGP-1AU-2	80.6
HGP-1AU-26	83
HGP-1AU-3	86
HGP-1AU-4	88
HGP-1AU-5	92
HGP-1AU-6	96
HGP-1AU-8	102