

## Mounting Bolt Kits

To mount the valves, four M4 bolts are used. The combination of valves varies with circuits. So, we have several mounting bolt kits suitable for different valve combinations. From the selection chart, choose a necessary bolt kit and specify it with model number when ordering.



### Model Number Designation

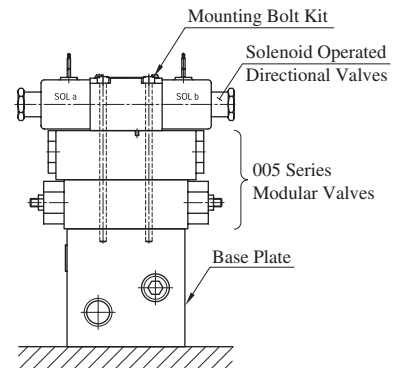
| MBK                                      | -005                  | -02  | -20           | *  |
|--|-----------------------|--|---------------|--|
| Series Number                            | Size of Modular Valve | Bolt Number  | Design Number | Design Standard  |
| <b>MBK:</b> Bolt Kits for Modular Valves | <b>005</b>            | <b>01,02,03,05</b><br>(Refer to the following chart) | <b>20</b>     | <b>None:</b> Japanese Standard "JIS" and European Design Standard<br><b>90:</b> N.American Design Standard |

### Bolt Kits Selection Chart

| Model Numbers  | Quantity of valves to be stacked              |                         |                         | Approx. Mass<br>g (lbs.) |
|----------------|---|-------------------------|-------------------------|--------------------------|
|                | Solenoid Operated Directional Valve (DSG-005) | Modular Valve (MDC-005) | Modular Valve (M**-005) |                          |
| MBK-005-01-20* | 1   | 0                       | 1                       | 30(.07)                  |
|                | 0   | 1                       |                         |                          |
| MBK-005-02-20* | 1   | 0                       | 2                       | 40(.09)                  |
|                | 0   | 1                       |                         |                          |
| MBK-005-03-20* | 1   | 0                       | 3                       | 50(.11)                  |
|                | 0   | 1                       |                         |                          |
| MBK-005-05-20* | 1*  | 0                       | 0                       | 18(.04)                  |
|                | 0   | 1                       |                         |                          |

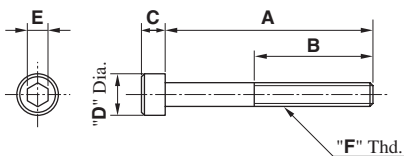
★ The solenoid operated directional valve comes with mounting bolts.

- **Bolts Kit Composition:**  
Soc. Hd. Cap Screw.....4 Pcs.
- **Tightening Torque:**  
2.5 - 3.5 Nm (22-31 in. lbs.)



Stacking Example

### MBK-005-\*-20/2090



| Model Numbers   | Dimensions mm (Inches) |               |                |               |               | "F" Thd.     |
|-----------------|------------------------|---------------|----------------|---------------|---------------|--------------|
|                 | A                      | B             | C              | D             | E             |              |
| MBK-005-01-20   | 65<br>(2.56)           | 20<br>(.79)   | 4<br>(.16)     | 7<br>(.28)    | 3<br>(.12)    | M4           |
| MBK-005-02-20   | 95<br>(3.74)           |               |                |               |               |              |
| MBK-005-03-20   | 125<br>(4.92)          |               |                |               |               |              |
| MBK-005-05-20   | 35<br>(1.38)           |               |                |               |               |              |
| MBK-005-01-2090 | 65.1<br>(2-9/16)       | 22.4<br>(.88) | 4.17<br>(.164) | 6.86<br>(.27) | 3.6<br>(9/64) | No. 8-32 UNC |
| MBK-005-02-2090 | 95.2<br>(3-3/4)        |               |                |               |               |              |
| MBK-005-03-2090 | 125.4<br>(4-15/16)     |               |                |               |               |              |
| MBK-005-05-2090 | 34.9<br>(1-3/8)        |               |                |               |               |              |