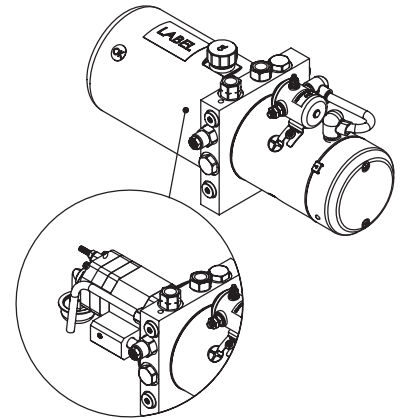
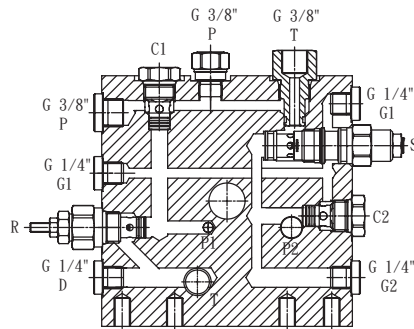
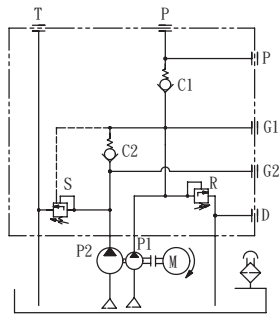
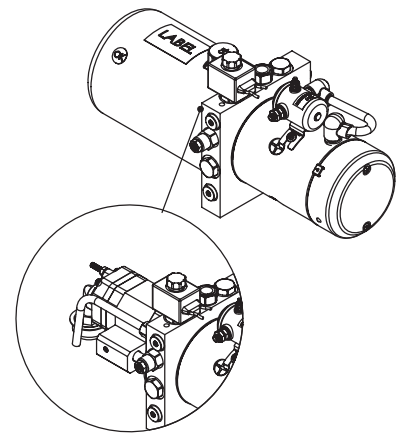
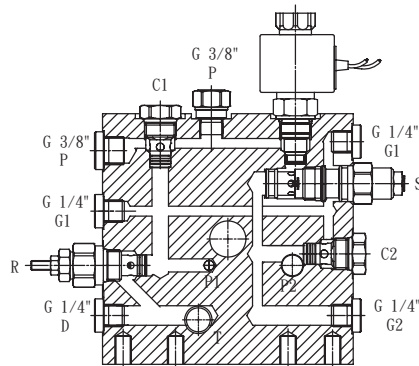
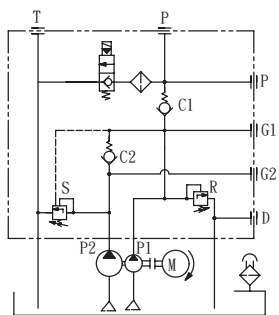


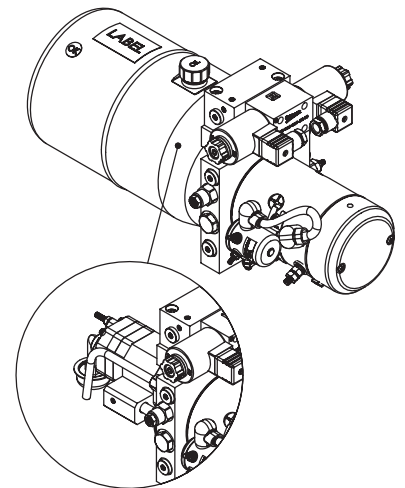
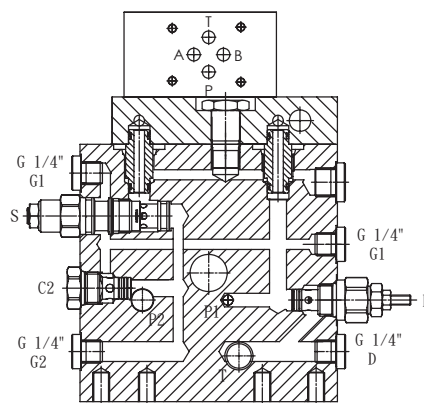
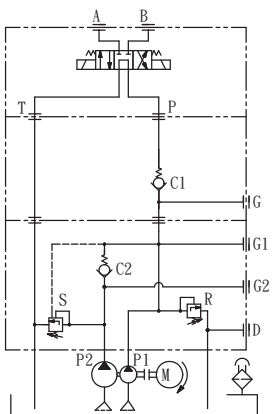
N Type



S Type



A Type + Cetop 03



The W83D series power pack is designed for applications that need high pressure and larger flow, but use a low-power D.C. motor. The power pack uses a special manifold (W800553). All screw-in cartridge valves have been designed to be adjusted easily to service the power pack quickly. They still have the same dimensions and functions as the standard manifold (W800532).

- ◆ DC motors range from 0.55KW to 3.0KW; as well as DC 12 and 24 volts.
 - ◆ Pump capacity range is from 0.5cc/rev to 7.3cc/rev.
 - ◆ Standard tank sizes vary from 2.4L to 8.0L. Tailor made tanks are also available.
 - ◆ Hydraulic circuit valves can be inter-changed with the standard manifold.
- Custom made circuits are also available.

Before the power packs leave our factory they are fully inspected and tested by our QA/QC (ISO 9001) team. If you have any questions or need a custom design, please feel free to contact us.