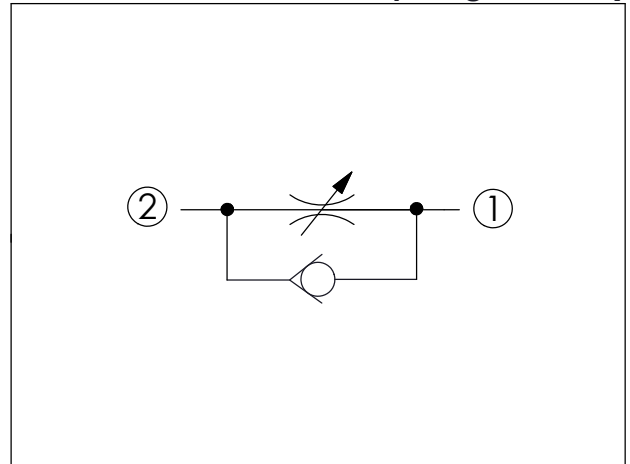
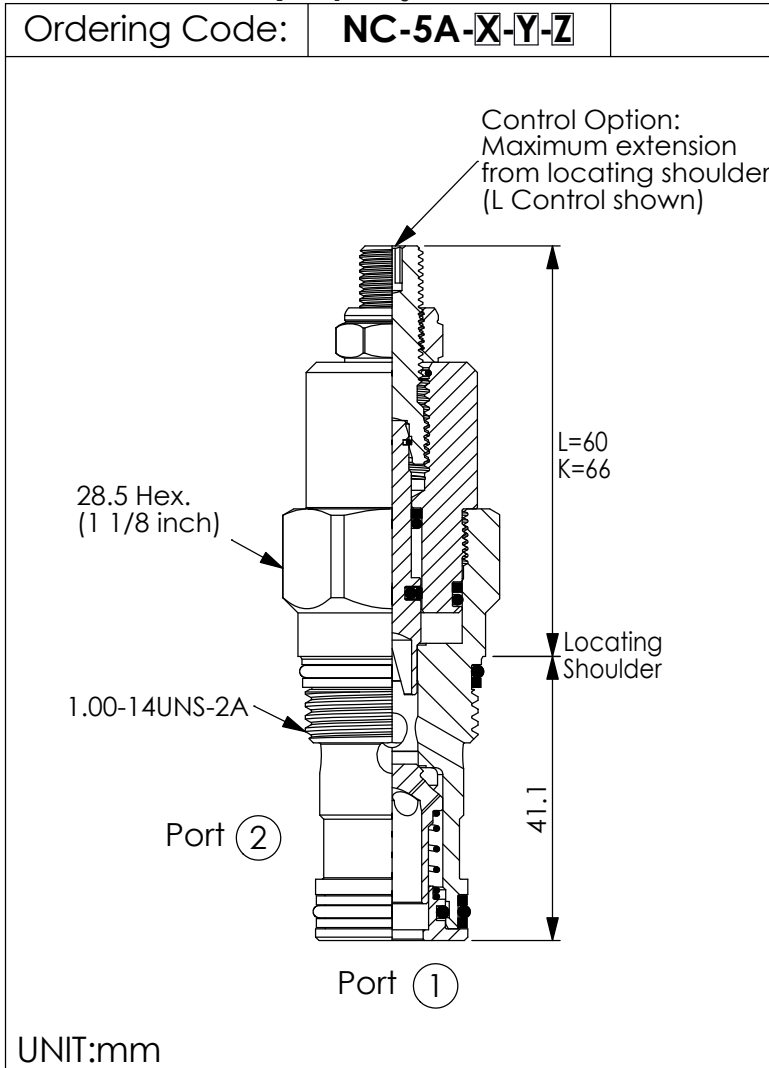
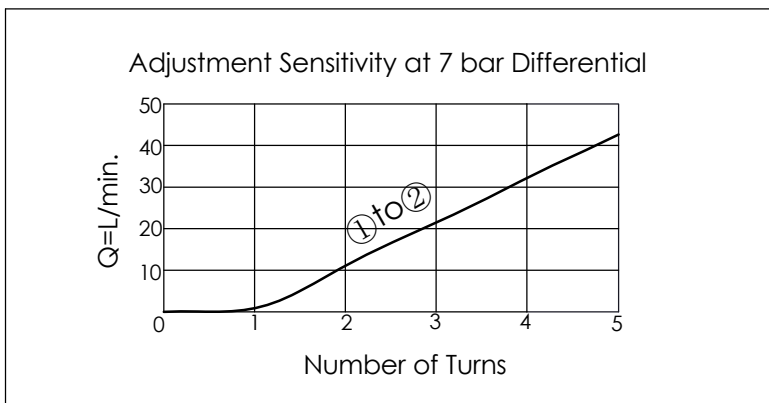


(Fully Adjustable Needle with Reverse Flow Check and Sharp-Edge Orifice)



### TECHNICAL DATA

Max. Operating pressure:	350 bar
Rated flow:	50 l/min ( $\Delta P=7$ bar) See Performance Chart
Cavity-Tooling:	5A-2
Installation torque:	60-70 Nm
Weight:	0.27 kg



X	OPERATION	
21	2 to 1 (Free Flow)	

Y	OPTIONS	
	Maximum Nominal Orifice	Cracking Pressure
BC	$\phi 6.3$ mm	2.0 bar

Z	OPTIONS	
L	Leakproof hex. socket screw.	
K	Handknob with Lock Konb.	
T	Three-winged Handknob Kit.	