

- BSG/BST 系列電磁引導動作型溢流閥之結構是由溢流閥和電磁換向閥組成。
- 電磁換向閥安裝在溢流閥上，並與溢流閥搖控口連通。
- 電磁線圈之電力信號可搖控系統之壓力。
- Solenoid pilot operated relief valve BSG/BST series is composed of relief valve and solenoid valve.
- Solenoid valve is mounted on top of relief valve, and connected with vent port of relief valve.
- The power signal of solenoid can control the system pressure.



BSG-03.06.10



BST-04.06.10

型號意義 How to order :

BS G - 06 - ※ - 2B2 - A

1	2	3	4	5	6
1 系列號	Series				
2 G: 板式連接 / T: 管式連接	G: SUB-Plate mounting / T: Threaded connections				
3 口徑代號	Valve size 03:3/8", 06:3/4", 10:1-1/4"				
4 壓力調整範圍	Pressure adjusting range				
5 電磁閥型號	Solenoid valve type				
6 電磁閥方向	The direction of solenoid valve				
A: 與手把呈 180° (無記號)	A: 180° against to handle (unmarked)				
L: 與手把呈 90°	L: 90° against to handle				

產品規格 Specification :

名稱 Name	口徑 Valve Size	型號 Model	壓力調整範圍 Pressure Adj. Range (Kgf/cm ²)	最大流量 Max. Flow (ℓ/min)	重量 Weight (Kg)
電磁引導動作型溢流閥 Solenoid controlled relief valves	G:3/8, T:1/2	BSG-03 / BST-04	B: 7~70 C: 35~140 H: 70~225 2H: 140~315	100	5.6 / 4.6
	3/4	BSG / BST-06		200	7 / 4.6
	1-1/4	BSG / BST-10		400	10.8 / 9.4

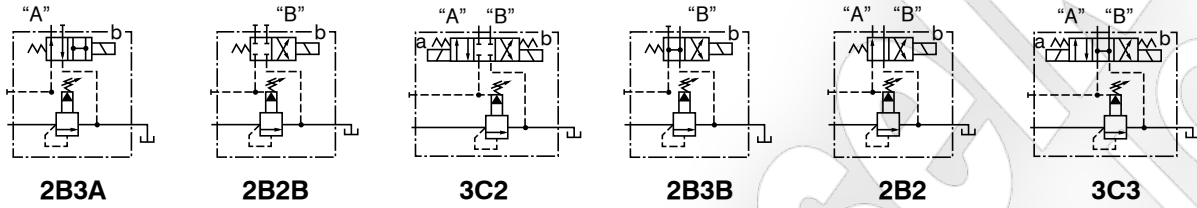
※ 重量為不含電磁閥之淨重。

※ The weight excludes the N. W. of solenoid valve.

附件 Attachment :

型號 Model	安裝螺絲 Mounting bolts		O 型環 O-Ring	
BSG-03	M12 x 70L 2 支 piece	M12 x 90L 2 支 piece	JIS B 2401-1B-P9 1 條 piece	JIS B 2401-1B-P20 2 條 piece
BSG-06	M16 x 55L 2 支 piece	M16 x 75L 2 支 piece	JIS B 2401-1B-P10A 1 條 piece	JIS B 2401-1B-P29 2 條 piece
BSG-10	M20 x 70L 2 支 piece	M20 x 90L 2 支 piece	JIS B 2401-1B-P10A 1 條 piece	JIS B 2401-1B-P36 2 條 piece

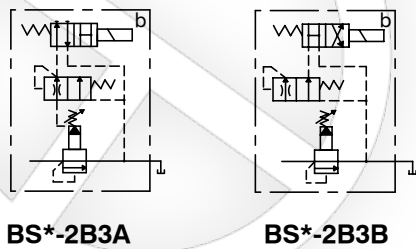
圖形符號 Graphic symbol :



電磁閥符號 Solenoid valve type :

控制方式 Control Mode	圖形符號 Graphic Symbol	使用電磁閥型號 Solenoid Valve Families	操作 Operating		
			SOL "a"	SOL "b"	遙控口連接 Vent Connecting
2B3A		DSG-01-2B3A	/	OFF	連接到 "A" □ Connected to port "A"
				ON	連接到油箱 (無負載) Connected to tank (no-load)
2B3B		DSG-01-2B3B	/	OFF	連接到油箱 (無負載) Connected to tank (no-load)
				ON	連接到 "B" □ Connected to port "B"
2B2B		DSG-01-2B2B	/	OFF	關閉狀態 (溢流閥調整壓力) Closed state (relief valve setting pressure)
				ON	連接到 "B" □ Connected to port "B"
2B2		DSG-01-2B2	/	OFF	連接到 "A" □ Connected to port "A"
				ON	連接到 "B" □ Connected to port "B"

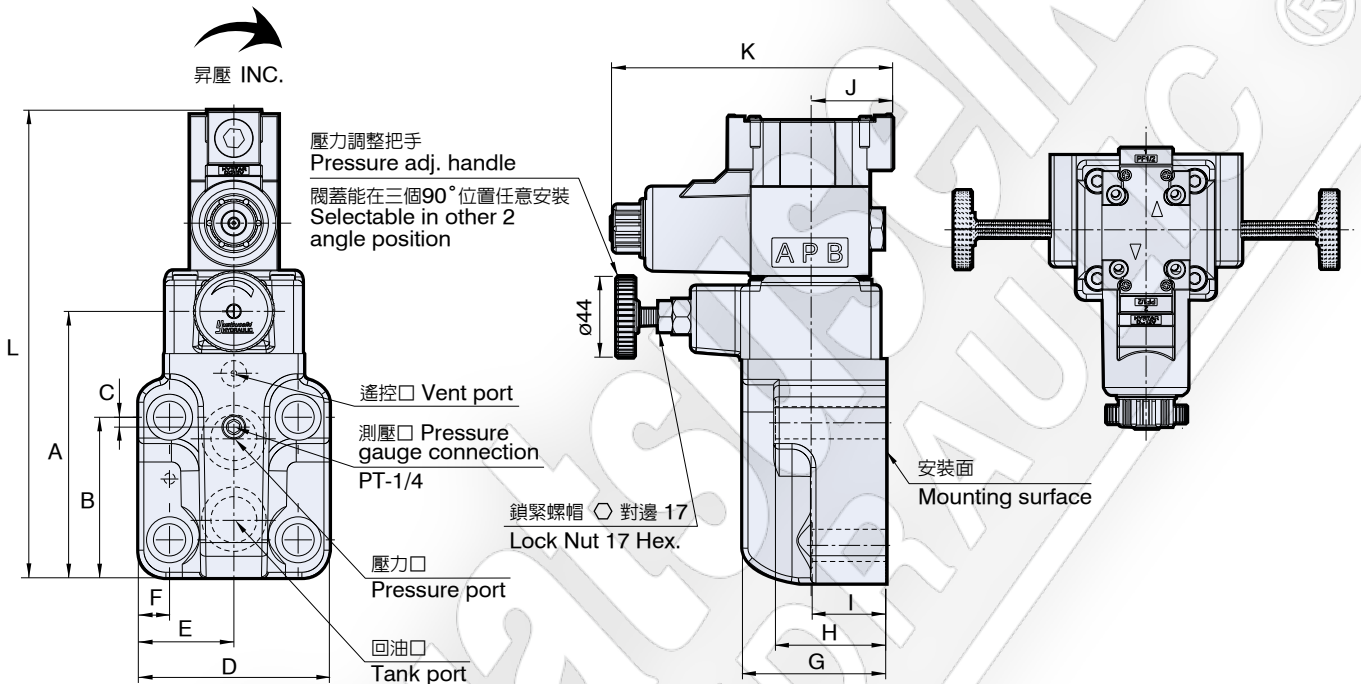
緩衝閥 Models with vent restrictor :



BS*-2B3A

BS*-2B3B

BSG-03.06.10

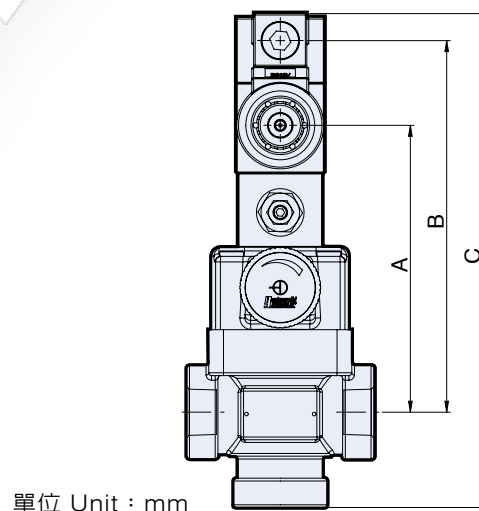
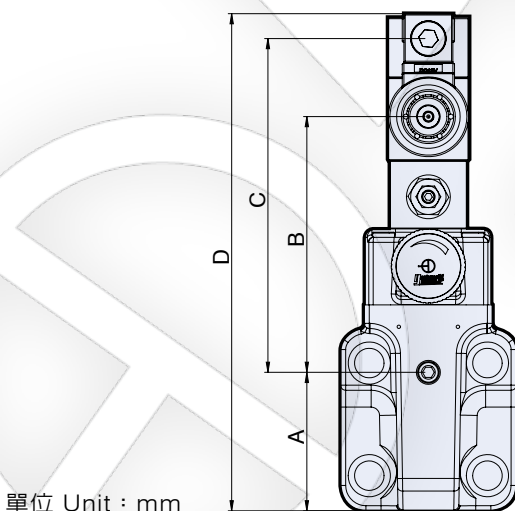


單位 Unit : mm

型號 Model	A	B	C	D	E	F	G	H	I	J	K	L
BSG-03	116	75	22	83	41.5	14.5	78	77.5	58.5	46	153	225.5
BSG-06	145	87.5	5.5	104	52	17	78	60	40	46	153	254
BSG-10	171	106	8	125	41.3	21.2	90	69.5	49.5	46	153	283

BSG+緩衝閥 Models with vent restrictor

BST+緩衝閥 Models with vent restrictor



型號 Model	A	B	C	D
BSG-03	52.5	151.5	197.75	265.3
BSG-06	82	151.5	197.75	294.5
BSG-10	98	164.5	210.75	323.5

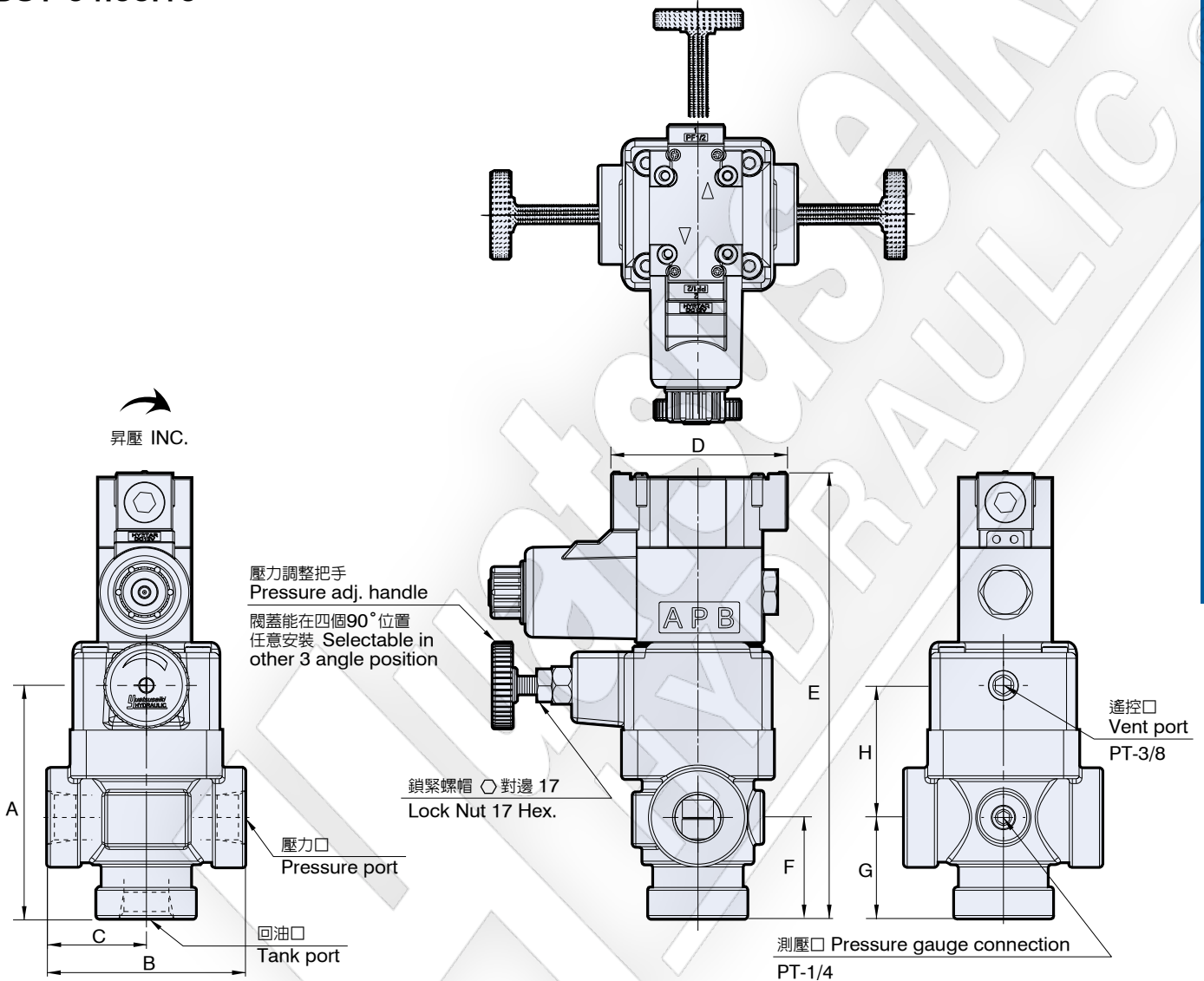
型號 Model	A	B	C
BST-04	157	203.25	269.5
BST-06	156.5	202.75	269.5
BST-10	165.5	211.75	310.5

壓力控制閥 (電磁引導動作型溢流閥)

PRESSURE CONTROL VALVE (Solenoid pilot operated relief valve)

BST-04.06.10

壓力控制閥
電磁引導動作型溢流閥
Pressure Control Valve (Solenoid pilot operated relief valve)

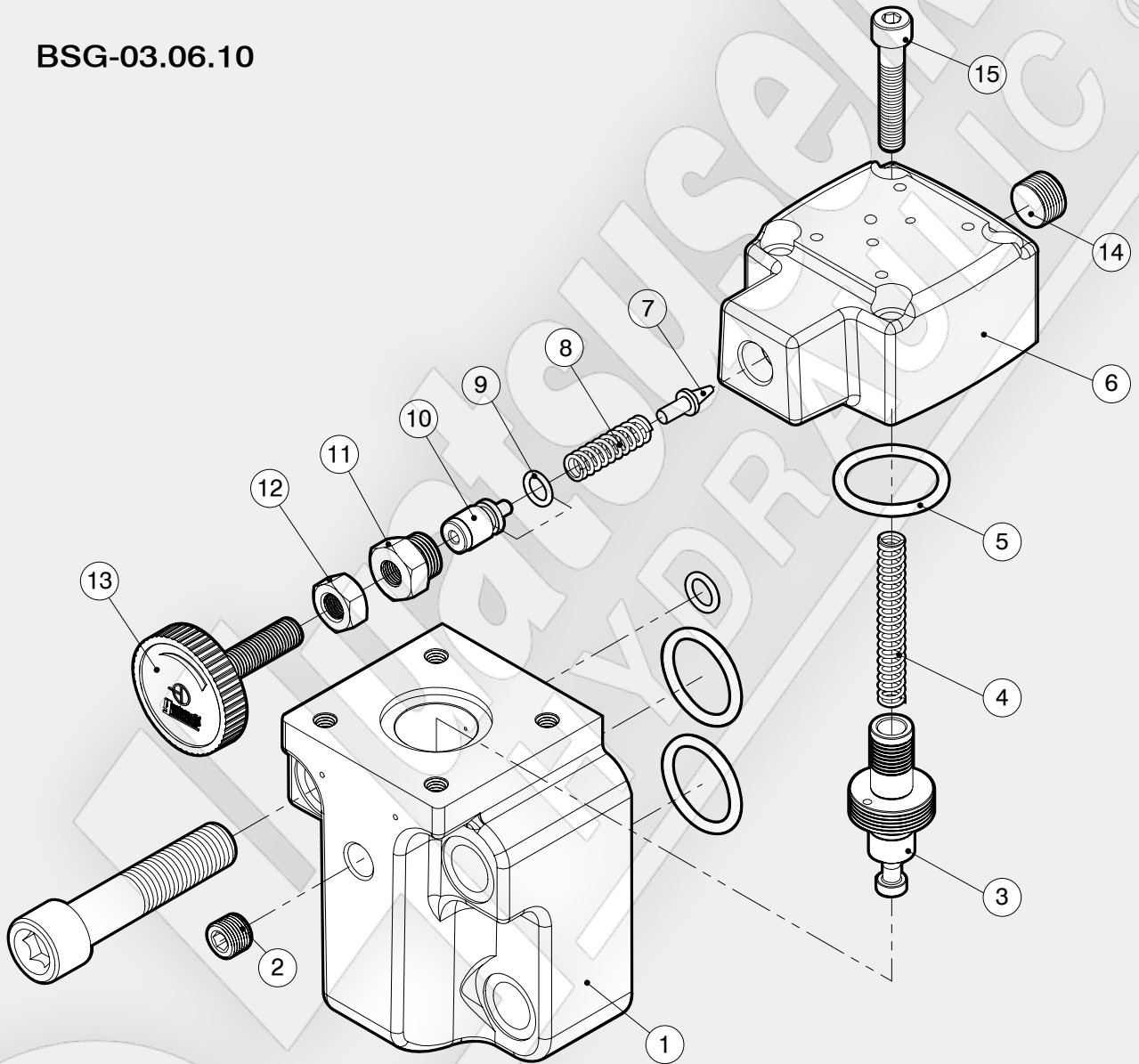


單位 Unit : mm

型號 Model	A	B	C	D	E	F	G	H			
BST-04	120	103	51.5	153	229	51.5	51.5	68.5			
BST-06	120	102	51	153	229	52	52	59.3			
BST-10	162.95	140	70	153	270	84	82	73.1			

爆炸圖 How to order for a complete assembled valve

BSG-03.06.10

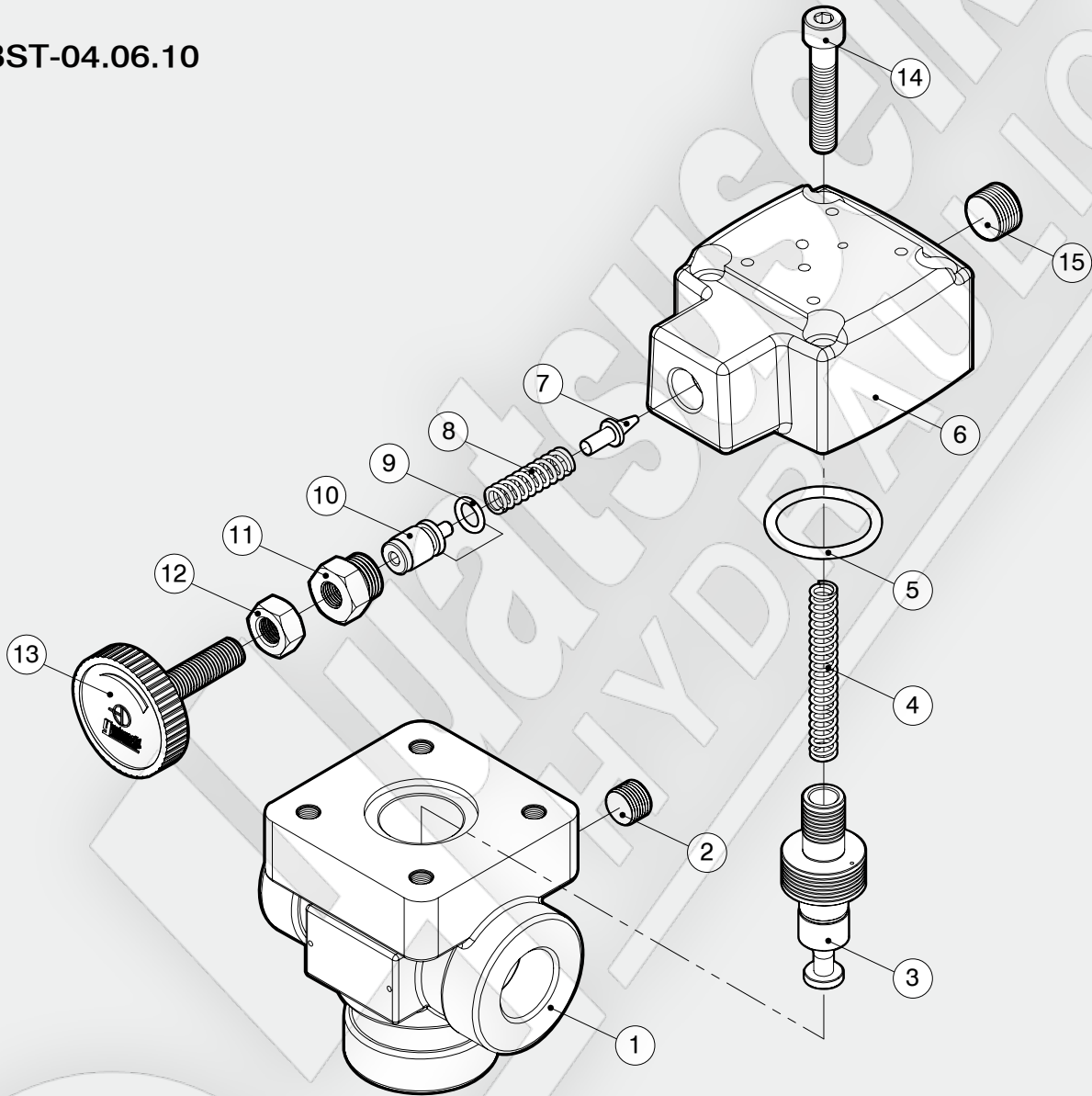


項次編號 No.	品名 Name of parts	數量 Q
1	本體 Body	1
2	PT 1/4	1
3	心軸 Spool	1
4	彈簧 Spring	1
5	BSG-03 JIS B 2401-1B-P32	1
	BSG-06 JIS B 2401-1B-P32	1
	BSG-10 JIS B 2401-1B-P42	1
6	閥蓋 Cover	1
7	針閥 Pilot poppet	1
8	彈簧 Spring	1

項次編號 No.	品名 Name of parts	數量 Q
9	JIS B 2401-1A-P9	1
10	推桿 Push rod	1
11	把手螺母 Nut	1
12	六角螺母 Nut	1
13	壓力調整把手 Pressure adj. handle	1
14	PT 3/8	1
15	BSG-03 M8 x 45L	4
	BSG-06 M8 x 45L	4
	BSG-10 M10 x 55L	4

爆炸圖 How to order for a complete assembled valve

BST-04.06.10



項次編號 No.	品名 Name of parts	數量 Q
1	本體 Body	1
2	PT 1/4	1
3	心軸 Spool	1
4	彈簧 Spring	1
5	BST-04 JIS B 2401-1B-P32	1
	BST-06 JIS B 2401-1B-P32	1
	BST-10 JIS B 2401-1B-P44	1
6	閥蓋 Cover	1
7	針閥 Pilot poppet	1
8	彈簧 Spring	1

項次編號 No.	品名 Name of parts	數量 Q
9	JIS B 2401-1A-P9	1
10	推桿 Push rod	1
11	把手螺母 Nut	1
12	六角螺母 Nut	1
13	壓力調整把手 Pressure adj. handle	1
14	BST-04 M8 x 45L	4
	BST-06 M8 x 45L	4
	BST-10 M10 x 45L	4
15	PT 3/8	1