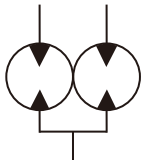


# DFMN-302A

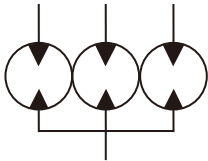
- Displacement : 4~35 cc/rev
- Max. Pressure : 210 kgf/cm<sup>2</sup>  
( 3000psi )



## SCHEMATIC SYMBOL

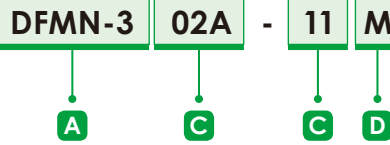


DFMN-302A



DFMN-303A

## ORDER CODES



|                          |   |                          |
|--------------------------|---|--------------------------|
| <b>A</b> Model Name      | DFMN-3  |                          |
| <b>B</b> Stations        | <b>02A</b>                                      | 2 stations               |
|                          | <b>03A</b>                                      | 3 stations               |
|                          | <b>04A</b>                                      | 4 stations               |
|                          | <b>05A</b>                                      | 5 stations               |
|                          | <b>06A</b>                                      | 6 stations               |
|                          | <b>07A</b>                                      | 7 stations               |
| <b>C</b> Flow Rate       | 4, 6, 8, 11, 13, 14, 17, 19, 23, 25, 28, 30, 35 |                          |
| <b>D</b> Functional Type | <b>M</b>  | synchronous flow divider |

## SPECIFICATIONS

| Model        | Accurate Displacement Capacity ( cc/rev ) | Operational Pressure ( kgf/cm <sup>2</sup> ) | Speed ( r.p.m. ) |          | Ports Size ( PT ) |        |
|--------------|---|--|------------------|----------|-------------------|--------|
|              |   |  | Loaded           | Unloaded | Inlet             | Outlet |
| DFMN-30*A-4  | 4   | 210  | 1000             | 2000     | 3/4"              | 1/2"   |
| DFMN-30*A-6  | 6   | 210  | 1000             | 2000     | 3/4"              | 1/2"   |
| DFMN-30*A-8  | 8.4                                       | 210  | 1000             | 2000     | 3/4"              | 1/2"   |
| DFMN-30*A-11 | 11  | 210  | 1000             | 2000     | 3/4"              | 1/2"   |
| DFMN-30*A-13 | 13  | 210  | 1000             | 2000     | 3/4"              | 1/2"   |
| DFMN-30*A-14 | 14.3                                      | 210  | 1000             | 2000     | 3/4"              | 1/2"   |
| DFMN-30*A-17 | 16.5                                      | 210  | 1000             | 2000     | 3/4"              | 1/2"   |
| DFMN-30*A-19 | 19.2                                      | 210  | 1000             | 2000     | 3/4"              | 1/2"   |
| DFMN-30*A-23 | 23  | 210  | 1000             | 2000     | 3/4"              | 1/2"   |
| DFMN-30*A-25 | 25  | 210  | 1000             | 2000     | 1"                | 3/4"   |
| DFMN-30*A-28 | 28  | 210  | 1000             | 2000     | 1"                | 3/4"   |
| DFMN-30*A-30 | 30  | 210  | 1000             | 2000     | 1"                | 3/4"   |
| DFMN-30*A-35 | 35  | 210  | 1000             | 2000     | 1"                | 3/4"   |

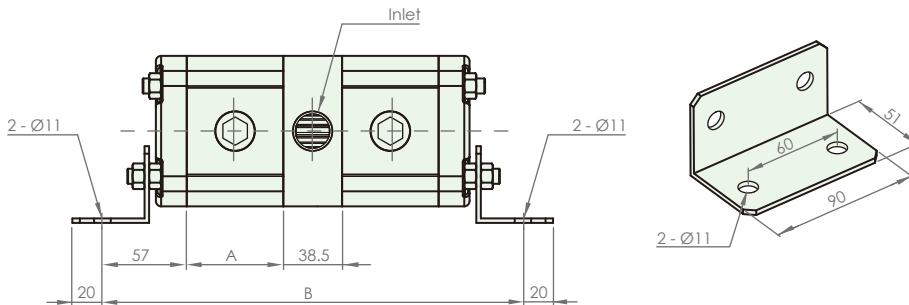
\* The initial pressure : 30kgf/cm<sup>2</sup>

**MODEL WEIGHT**
**DFMN-302A**

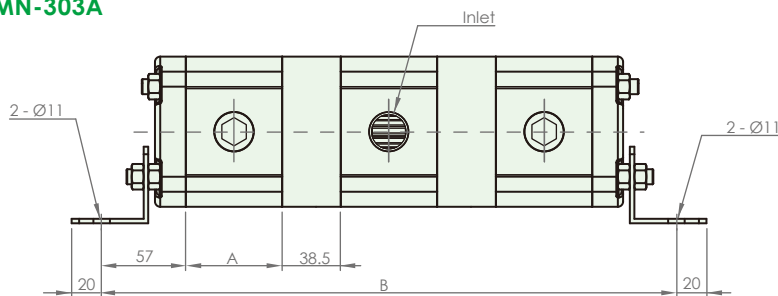
| Model        | Weight (kg) |
|--------------|-------------|
| DFMN-302A-4  | 4.83        |
| DFMN-302A-6  | 4.99        |
| DFMN-302A-8  | 5.15        |
| DFMN-302A-11 | 5.45        |
| DFMN-302A-13 | 5.65        |
| DFMN-302A-14 | 5.77        |
| DFMN-302A-17 | 6.02        |
| DFMN-302A-19 | 6.23        |
| DFMN-302A-23 | 6.60        |
| DFMN-302A-25 | 6.73        |
| DFMN-302A-28 | 6.95        |
| DFMN-302A-30 | 7.15        |
| DFMN-302A-35 | 7.67        |

**DFMN-303A**

| Model        | Weight (kg) |
|--------------|-------------|
| DFMN-303A-4  | 7.06        |
| DFMN-303A-6  | 7.30        |
| DFMN-303A-8  | 7.54        |
| DFMN-303A-11 | 7.99        |
| DFMN-303A-13 | 8.29        |
| DFMN-303A-14 | 8.47        |
| DFMN-303A-17 | 8.83        |
| DFMN-303A-19 | 9.16        |
| DFMN-303A-23 | 9.76        |
| DFMN-303A-25 | 9.91        |
| DFMN-303A-28 | 10.24       |
| DFMN-303A-30 | 10.54       |
| DFMN-303A-35 | 11.32       |

**DIMENSIONS (unit : mm)**
**DFMN-302A**


| Model        | A   | B     |
|--------------|-----|-------|
| DFMN-302A-4  | 49  | 250.5 |
| DFMN-302A-6  | 52  | 256.5 |
| DFMN-302A-8  | 55  | 262.5 |
| DFMN-302A-11 | 60  | 272.5 |
| DFMN-302A-13 | 64  | 280.5 |
| DFMN-302A-14 | 66  | 284.5 |
| DFMN-302A-17 | 70  | 292.5 |
| DFMN-302A-19 | 74  | 300.5 |
| DFMN-302A-23 | 81  | 314.5 |
| DFMN-302A-25 | 84  | 320.5 |
| DFMN-302A-28 | 88  | 328.5 |
| DFMN-302A-30 | 92  | 336.5 |
| DFMN-302A-35 | 102 | 356.5 |

**DFMN-303A**


| Model        | A   | B   |
|--------------|-----|-----|
| DFMN-303A-4  | 49  | 338 |
| DFMN-303A-6  | 52  | 347 |
| DFMN-303A-8  | 55  | 356 |
| DFMN-303A-11 | 60  | 371 |
| DFMN-303A-13 | 64  | 383 |
| DFMN-303A-14 | 66  | 389 |
| DFMN-303A-17 | 70  | 401 |
| DFMN-303A-19 | 74  | 413 |
| DFMN-303A-23 | 81  | 434 |
| DFMN-303A-25 | 84  | 443 |
| DFMN-303A-28 | 88  | 455 |
| DFMN-303A-30 | 92  | 467 |
| DFMN-303A-35 | 102 | 497 |

\* Please contact the local distributors to obtain the further information.