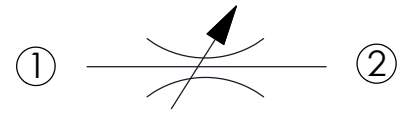
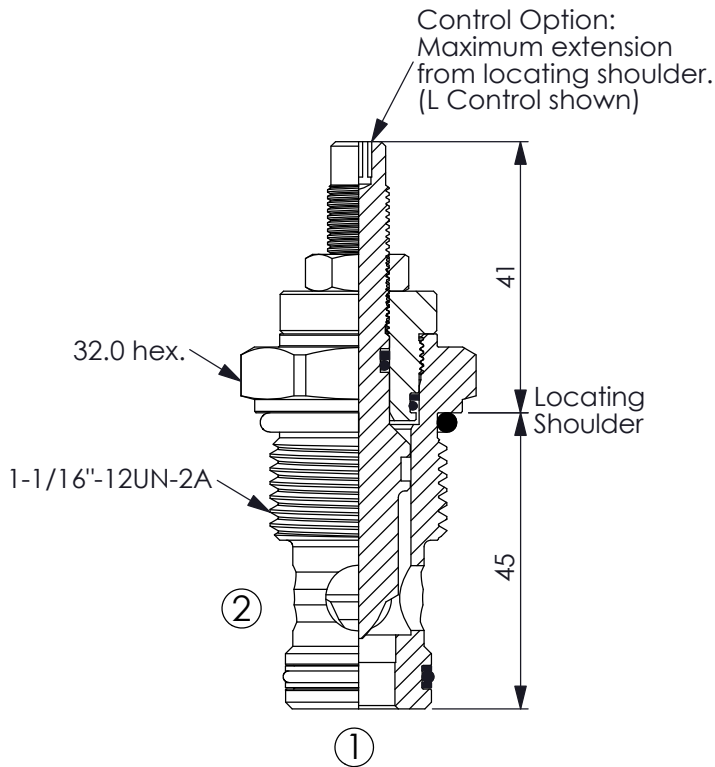


FLOW CONTROL VALVE (Fully Adjustable Needle)

Ordering Code: **NV-12W-X-Y-Z**

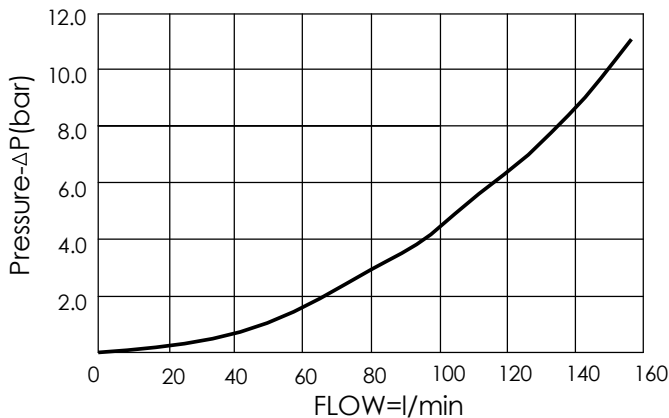


TECHNICAL DATA

Max. pressure:	350	bar
Rated Flow:	126 l/min ($\Delta P=7$ bar)	See Performance Chart
Cavity-Tooling:	12W-2	
Installation torque:	45-55	Nm
Weight:	0.21	kg

UNIT:mm

FULLY OPEN RESTRICTOR-FLOW IN BOTH DIRECTIONS



X OPERATION

20 Needle Valve

Z OPTIONS

L	Leakproof hex. socket screw.	
E	Handknob and locknut.	
B	Handknob and aluminum locknut.	

Y MAXIMUM NOMINAL ORIFICE

N (Standard)