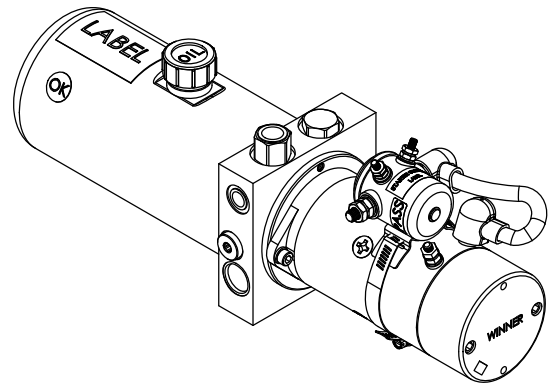
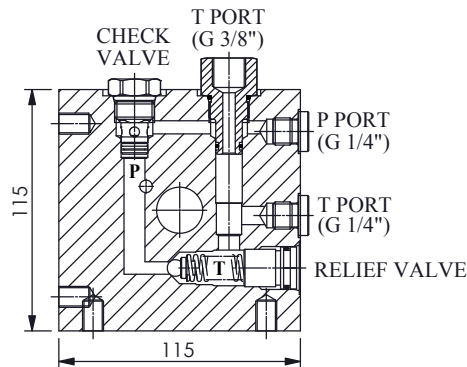
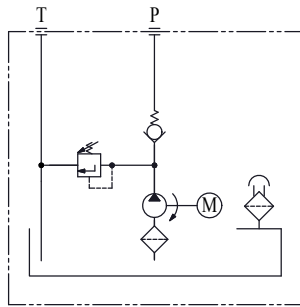
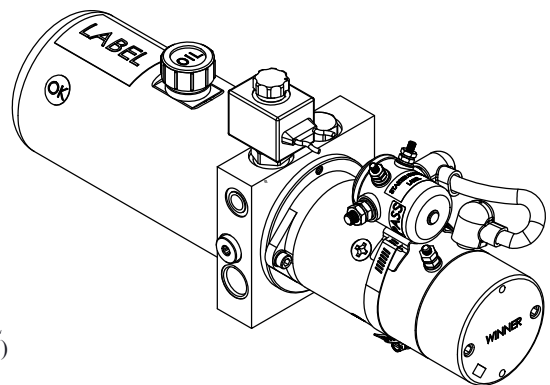
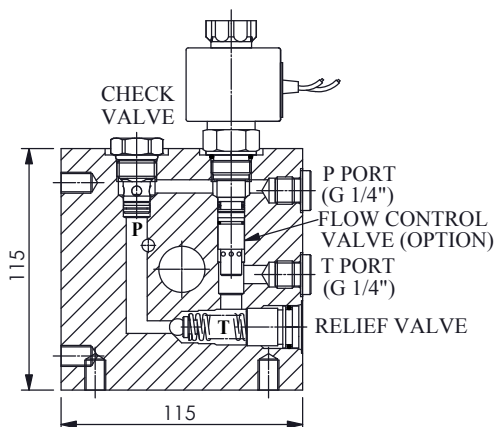
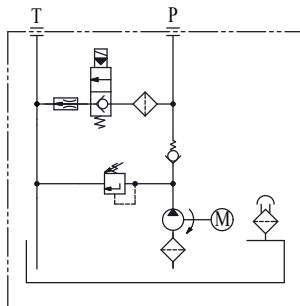


N Type



S Type



- The W81D mini power pack series is designed for a wide range of applications which include;
- ◆ DC motors range from 0.55KW to 3.0KW; as well as DC 12 and 24 volts.
 - ◆ Tank sizes vary from 0.5L to 1.7L.
 - ◆ Pump capacity range is from 0.5cc/rev to 7.3cc/rev.

The purpose for the mini design is to save space. The power pack is only 115mm by 115mm. If you have any questions or need a custom design, please feel free to contact us.