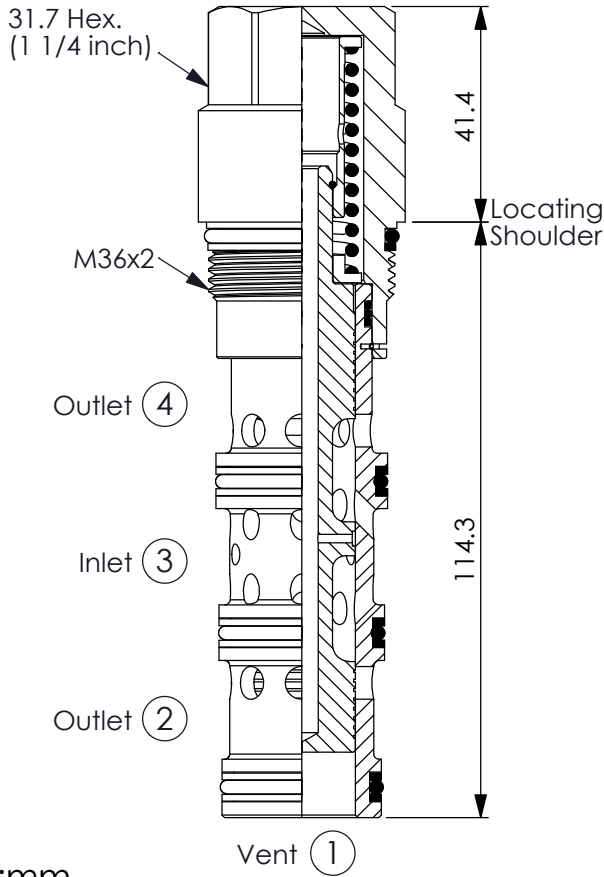
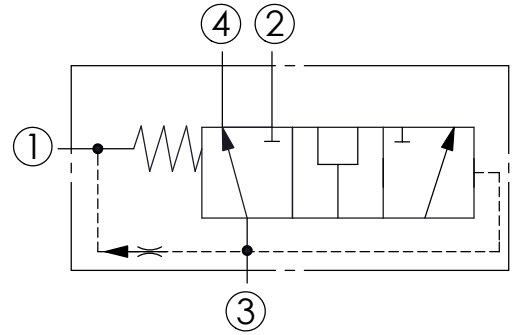


## DIRECTIONAL VALVE (3-Way, 2-Position, Vent to Shift)

Ordering Code: **DQ-33A-X-Y-Z**

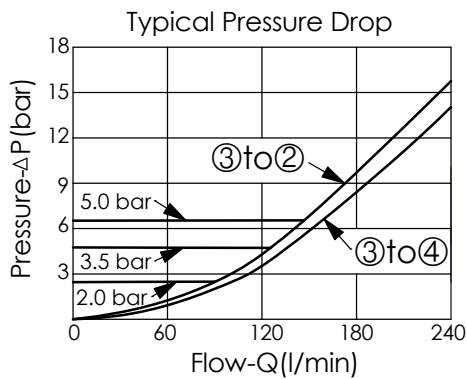


UNIT:mm



### TECHNICAL DATA

Max. pressure:	350	bar
Rated flow:	240	l/min
Cavity-Tooling:	33A-4	
Installation torque:	200-215	Nm
Weight:	0.73	kg
Nominal Vent Flow(0.6 l/min.)		



### X OPERATION

**41** Vent to shift  
Normally Open Diverter

### Z OPTIONS

**N** Non-adjustable

### Y SPRINGS

Cracking pressure

**20** 2.0 bar

**35** 3.5 bar

**50** 5.0 bar